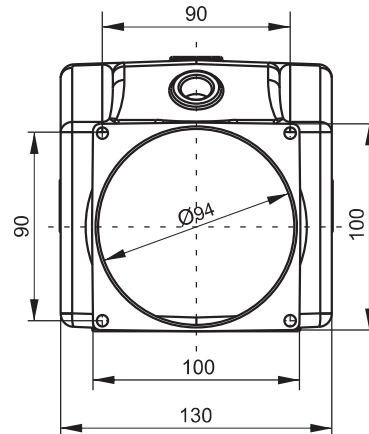
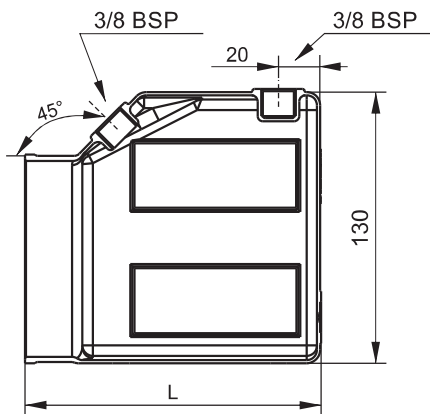


# SECTION E



## SQUARE PLASTIC TANKS T SERIES



Description	Spare part code	Assembly code	L (mm)	Weight	Actual filling volume (lt)	
					Horizontal	Vertical
1 l square horizontal / vertical mounting	H50403005	1T / 1TV	125	0,23 Kg	1,0	0,8
1,5 l square horizontal / vertical mounting	H50403007	1,5T / 1,5TV	150	0,24 Kg	1,4	1,2
2 l square horizontal / vertical mounting	H50403009	2T / 2TV	211	0,34 Kg	2,2	2,0
2,7 l square horizontal / vertical mounting	H50403011	2,7T / 2,7TV	261	0,40 Kg	2,7	2,7
3,5 l square horizontal / vertical mounting	H50403013	3,5T / 3,5TV	326	0,49 Kg	3,7	3,9

<b>Material</b>	PE-HD neutral / transparent color (DO NOT EXPOSE TO DIRECT SUNLIGHT)
<b>Fluid</b>	Mineral based oil ISO/DIN 6743/4
<b>Working temperature</b>	-15 / +70°C

Note: the piping kit, standard suction filter, filler/breather and discharge plug are included when specifying the tank in PPM assembly code

When ordering spare parts, only the discharge plug and filler/breather are included