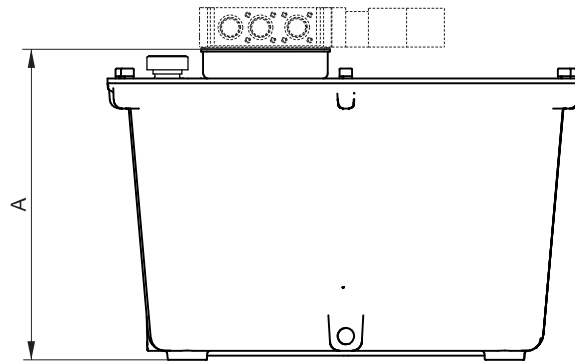
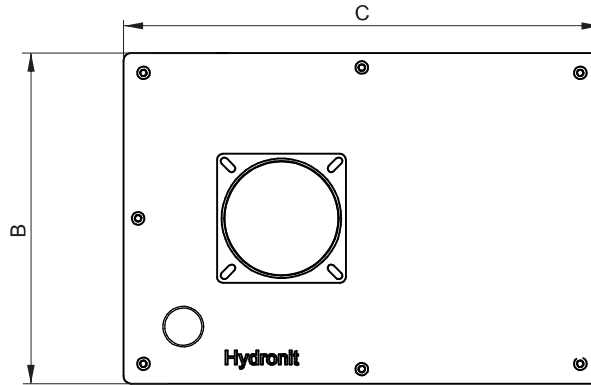


HEAVY DUTY SQUARE ALUMINIUM TANK



Description	Spare part code	Assembly code	A [mm]	B [mm]	C [mm]	Weight [kg]	Actual filling volume l (gal)
10 l square aluminium vertical mounting tank	S602010HD	10HD	255	250	340	4	8,5 (2,25)
25 l square aluminium vertical mounting tank	S602025HD	25HD	315	340	490	13	21 (5,55)

Material	Die cast alluminium, tank top lid 3 mm steel sheet
Fluid	Mineral based oil ISO/DIN 6743/4
Working temperature	-15 / +70°C

Notes: the piping kit, standard suction strainer, filler/breather and are included when specifying the tank in PPC assembly code. When ordering spare tanks, only the filler/breather are included.