

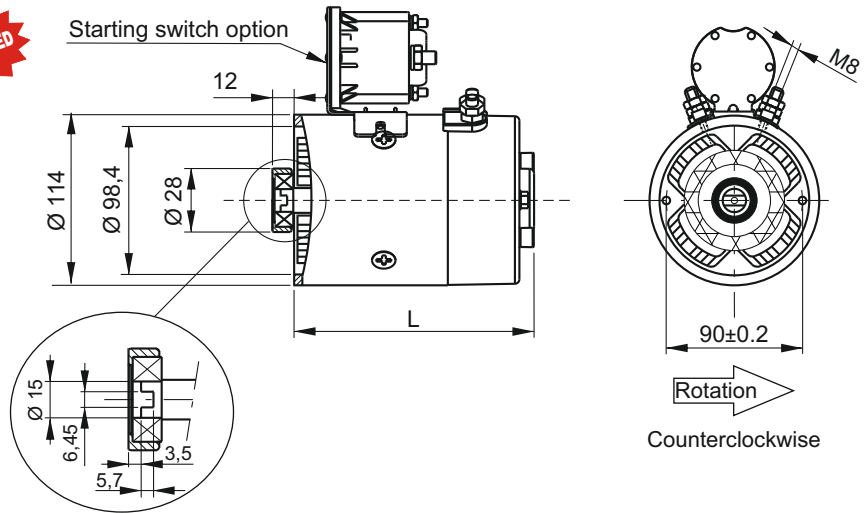
SECTION A



INTEGRAL DC MOTORS Ø114



Compound wound
Protection degree: IP54
Insulation class: F
Weight: 8,15 kg (without starting switch)
UL motors available on request



Code

Description	Assembly code	Spare part code	Nominal duty cycle	Nominal speed	Nominal current	L
1600W 12V DC + thermal protection for PPM	1,6 12DC_TM	M46C1ST16M	S2: 3 min S3: 10% ED	2800 rpm	210 A	165 mm
2100W 12V DC + thermal protection for PPM	2,1 12DC_TM	M46C1ST21M	S2: 2,5 min S3: 10% ED	2400 rpm	300 A	182 mm
2200W 24V DC + thermal protection for PPM	2,2 24DC_TM	M46C2ST22M	S2: 3,5 min S3: 15% ED	2400 rpm	130 A	165 mm
2200W 48V DC + thermal protection for PPM	2,2 48DC_TM	M46C4ST22M	S2: 3 min S3: 15% ED	3000 rpm	65 A	163 mm

Options & couplings

Description	Assembly code	Spare part
12V DC 150 Amp start switch + mounting kit	S150T 12DC 112	M47TC0001 + XACNH00001
12V DC 150 Amp start relay + mounting kit + Faston optional connector	S150T 12DC 112 F	M47TC0001+XACNH00001+2x24556
24V DC 150 Amp start switch + mounting kit	S150T 24DC 112	M47TC0002 + XACNH00001
24V DC 150 Amp start relay + mounting kit+ Faston optional connector	S150T 24DC 112 F	M47TC0002+XACNH00001+2x24556
48V DC 150 Amp start relay + mounting kit	S150T 48DC 112	M47TC0004+XACNH00001
48V DC 150 Amp start relay + mounting kit+ Faston optional connector	S150T 48DC 112 F	M47TC0004+XACNH00001+2x24556
12V DC 300 Amp start switch + mounting kit	S300T 12DC 112	MASRH00001 + XACNH00001
12V DC 300 Amp start relay + mounting kit + Faston optional connector	S300T 12DC 112F	MASRH00001+XACNH00001+2x24556
Coupling for Ø114 motors and gr.0 pump	E36200002 See table page A200	
Remote wired control with 2 buttons and 3m cable	P0201 (single acting)	
Remote wired control with 4 buttons and 3m cable	P0202 (double acting)	

Notes: the starting switch mounting kit is provided when specifying the /S150 as motor option in PPM assembly code. When ordering spare starting switches, it must be ordered separately (code: XACNH00001).

The coupling is already included when specifying the motor in PPM assembly code. It is to be indicated only when ordering PPM with no motor but with coupling. Optional relay connection cable can be ordered separately (see page A060). For ambient relative humidity over 60%, motors with optional IP67 protection index are available and required. Please ask your sales representative.