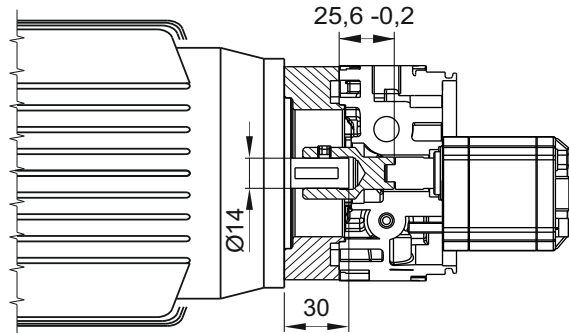


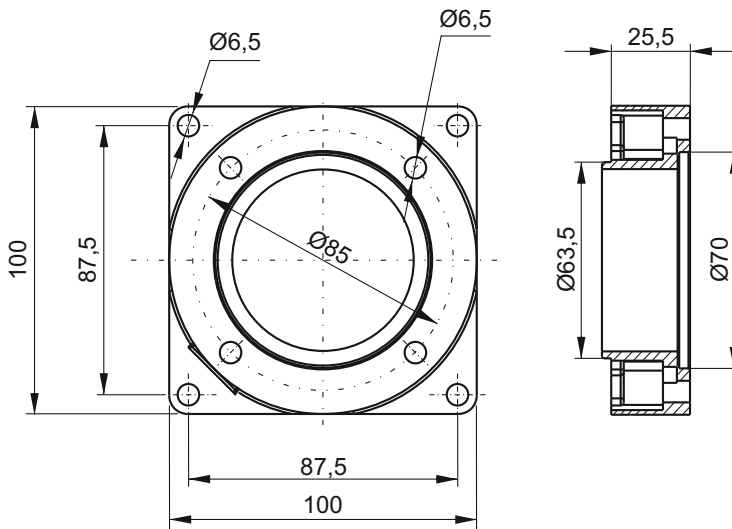
MOUNTING KIT FOR FRAME 71 B14 IEC MOTORS



Kit weight: 0,18 Kg

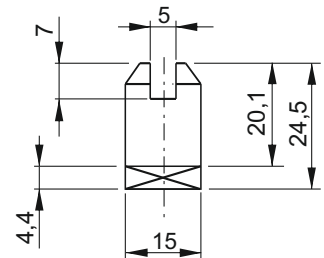


Adaptor flange

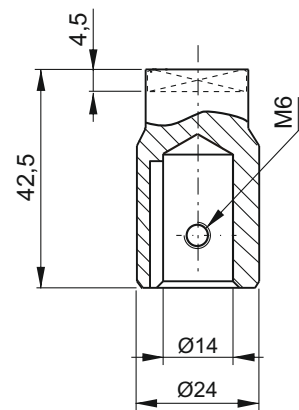


Couplings

Pump side **E3610000M**



Motor side **E36100001**



Description	Assembly code*	Spare part code
B14 71 motor side semi-coupling	NB14 71	E36100001
B14 pump side semi-coupling		E36100000M
B14 71 adaptor flange		F25030003

* Note: the coupling + flange kit is already included when specifying a B14 motor in PPM assembly code. NB1471 code to be indicated only when ordering PPM with no motor but with coupling + flange kit.

Attention! When assembling B14 IEC motors with NB14 flange + couplings kit, please respect positioning tolerances as shown in the drawing at the top of this page. Failure to do so can cause malfunctioning or component failure.