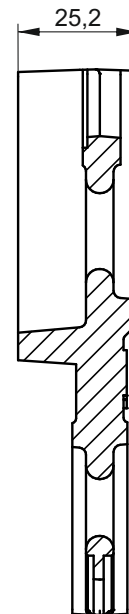
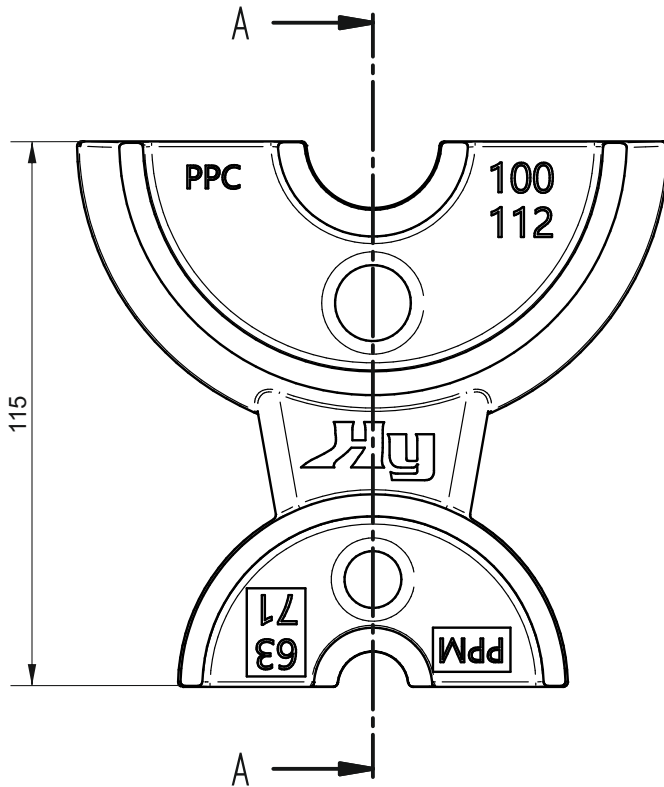
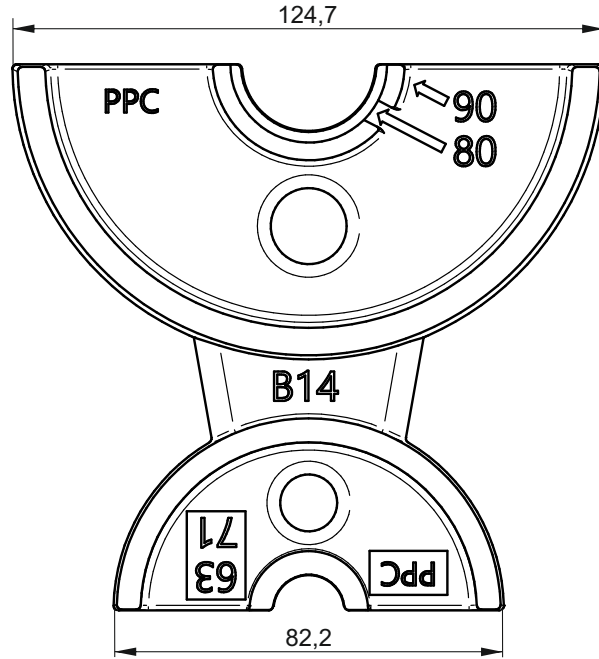


SECTION A



COUPLING MOUNTING TOOL FOR FRAME 63/71 B14 MOTORS PPC-PPM



SECTION A-A

| Description | Spare part code |
|---------------------------------------|-----------------|
| Coupling mounting tool for B14 motors | ATZB14001 |

Attention! Cannot be used for EPB151 electropumps with flange E10105010.