

SECTION A

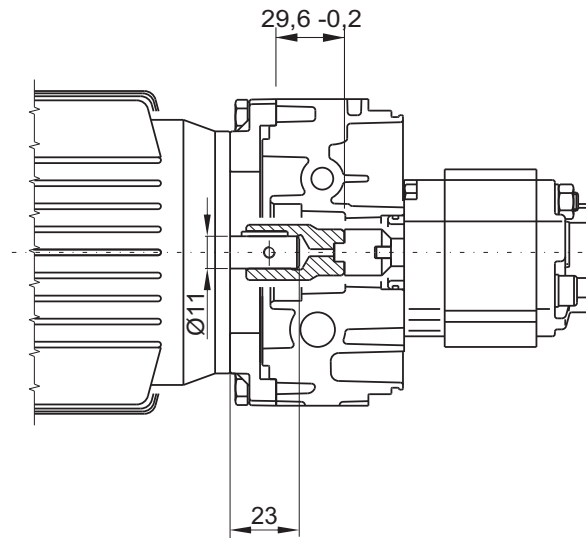


MOUNTING KIT FOR FRAME 63 B14 IEC MOTORS



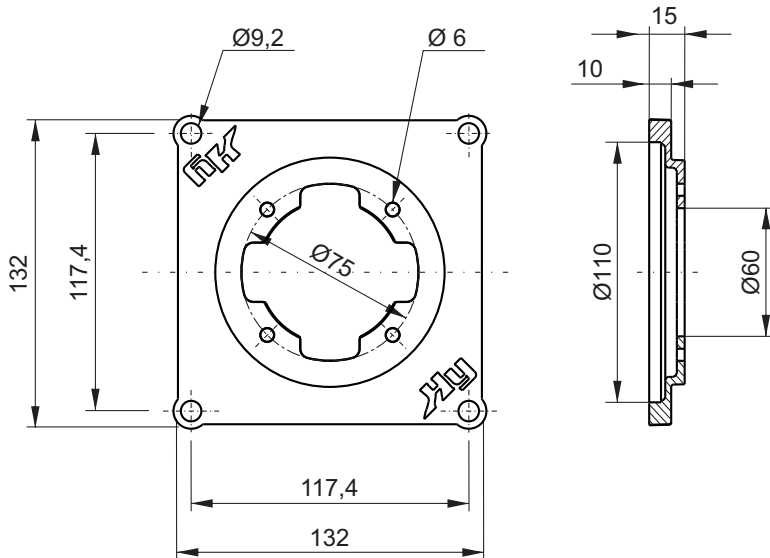
NEW

Kit weight: 0,26 Kg



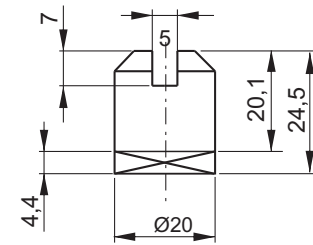
Adaptor flange

Adaptor flange **F27010011** Weight: 0,16 Kg

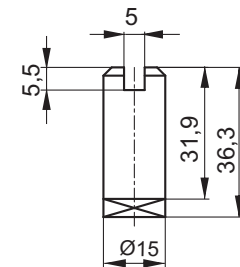


Couplings

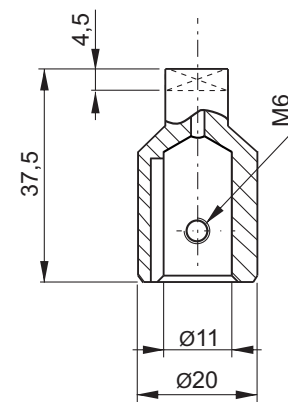
Pump side (group1) **E36100000** Weight: 0,05 Kg



Pump side (group0) **E36100006** Weight: 0,04 Kg



Motor side **M36100011**



Description	Assembly code*	Spare part code
B14 63 motor side half-coupling		M36100011
B14 pump side half-coupling	XB14 63 -0 (gr.0) -1 (gr.1)	E36100006 (gr.0) E36100000 (gr.1)
B14 63 adaptor flange		F27010011

* Note: The coupling+flange kit is already included when specifying a B14 motor in PPC assembly code. XB14 63 code has to be indicated only when ordering PPC with no motor but with coupling+flange kit.

For increased IP protection degree with B14 flanges you can add the optional bracket code MP001.

Attention! When assembling frame 63 B14 motors with XB14 flange+couplings kit, please respect positioning tolerances as per top drawing. Failure to do so can cause malfunctioning or component failure.