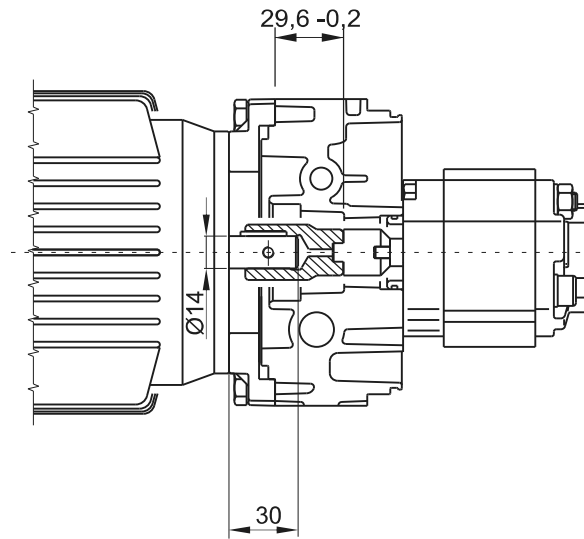


**MOUNTING KIT FOR FRAME 71 B14 IEC MOTORS**

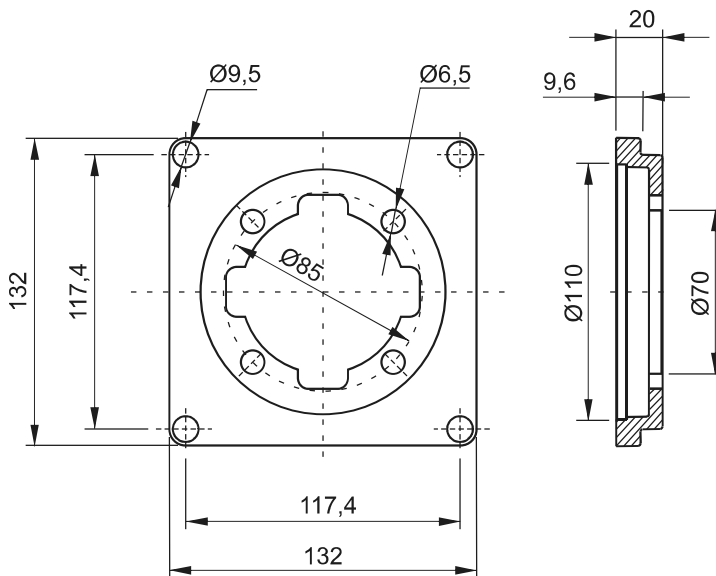


Kit weight: 0,32 Kg



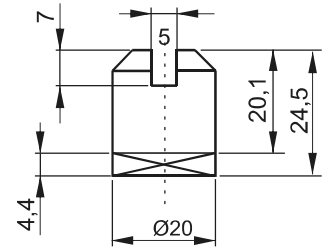
**Adaptor flange**

Adaptor flange **F27010001** Weight: 0,18 Kg

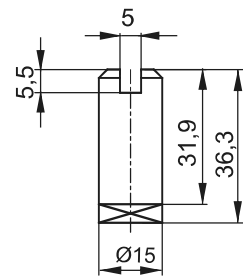


**Couplings**

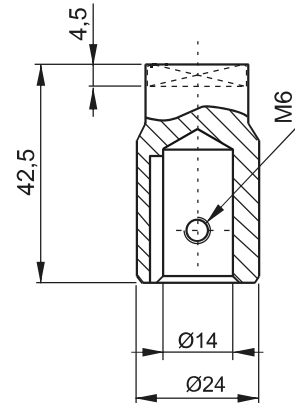
Pump side (group1) **E36100000** Weight: 0,05 Kg



Pump side (group0) **E36100006** Weight: 0,04 Kg



Motor side **E36100001** Weight: 0,08 Kg



Description	Assembly code*	Spare part code
B14 71 motor side half-coupling	<b>XB14 71</b> -0 (gr.0) -1 (gr.1)	<b>E36100001</b>
B14 pump side half-coupling		<b>E36100006 (gr.0)</b> <b>E36100000 (gr.1)</b>
B14 71 adaptor flange		<b>F27010001</b>

\* Note: The coupling+flange kit is already included when specifying a B14 motor in PPC assembly code. XB14 71 code has to be indicated only when ordering PPC with no motor but with coupling+flange kit.

For increased IP protection degree with B14 flanges you can add the optional bracket code MP001.

**Attention!** When assembling frame 71 B14 motors with XB14 flange+couplings kit, please respect positioning tolerances as per top drawing. Failure to do so can cause malfunctioning or component failure.