

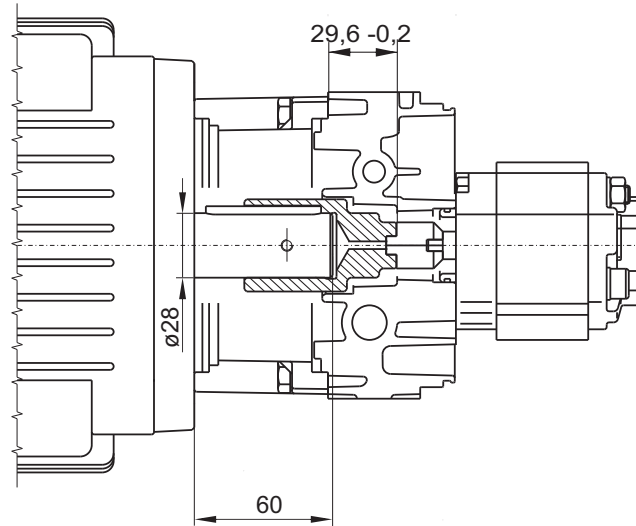
SECTION A



MOUNTING KIT FOR FRAME 100/112 B14 IEC MOTORS

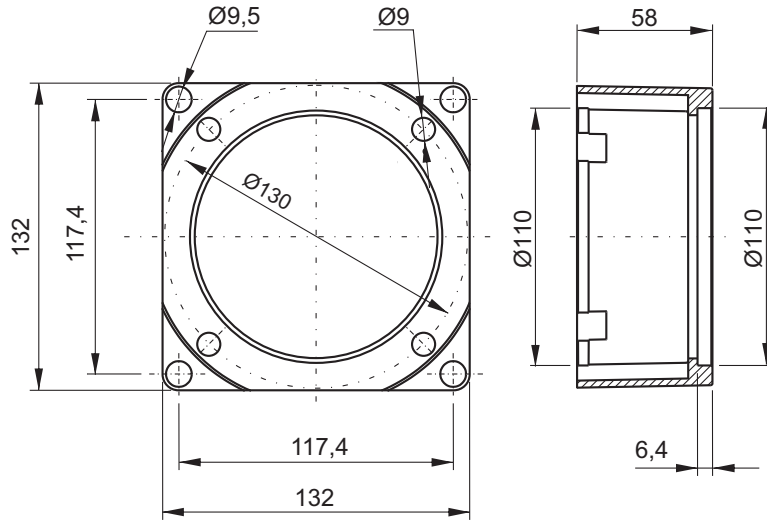


Kit weight: 0,99 Kg



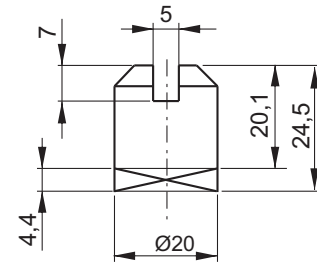
Adaptor flange

Adaptor flange **F27010004** Weight: 0,66 Kg

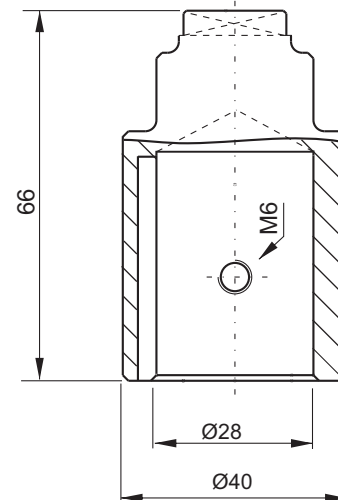


Couplings

Pump side **E36100000** Weight: 0,05 Kg



Motor side **E36100004** Weight: 0,31 Kg



Description	Assembly code*	Spare part code
B14 100 motor side half-coupling	XB14 100-1	E36100004
B14 pump side half-coupling		E36100000
B14 100 adaptor flange		F27010004

* Note: The coupling+flange kit is already included when specifying a B14 motor in PPC assembly code. XB14 90 code has to be indicated only when ordering PPC with no motor but with coupling+flange kit.

For increased IP protection degree with B14 flanges you can add the optional bracket code MP001.

Attention! When assembling frame 100 B14 motors with XB14 flange+coupling kit, please respect positioning tolerances as per top drawing. Failure to do so can cause malfunctioning or component failure.