

**ELASTIC MOUNTING KIT FOR FRAME 100 B14 IEC MOTORS**

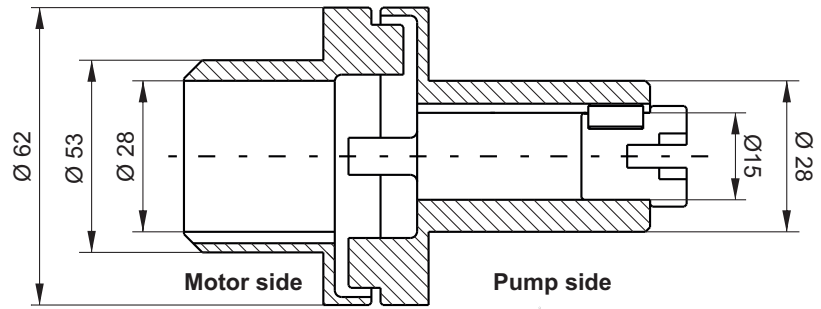


Kit weight: 1,9 Kg

**NEW**

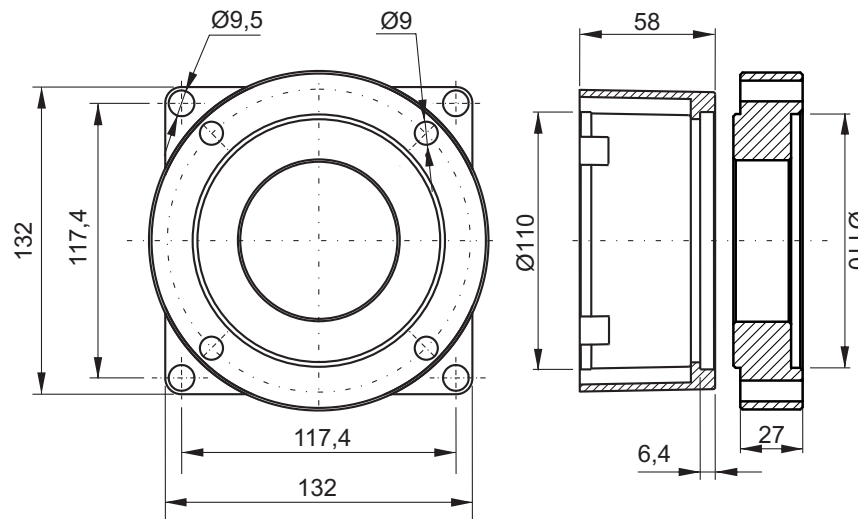
**Elastic coupling**

Elastic coupling **T54001100** Weight: 0,36 Kg



**Adaptor flange**

Adaptor flange **FTE270100** Weight: 1,54 Kg



Description	Assembly code*	Spare part code
Elastic coupling	<b>XB14E 100</b>	<b>T54001100</b>
B14 mounting flanges		<b>FTE270100</b>

\* Note: The coupling+flange kit is already included when specifying a B14 motor in PPC assembly code. XB14E 100 code has to be indicated only when ordering PPC with no motor but with coupling+flange kit. For increased IP protection degree with B14 flanges you can add the optional bracket code MP001. Other couplings for different motor sides are available on request.

**Attention!** When assembling frame B14 motors with XB14 flange+coupling kit, please respect positioning tolerances as per top drawing. Failure to do so can cause malfunctioning or component failure.