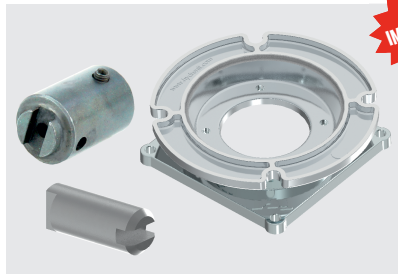
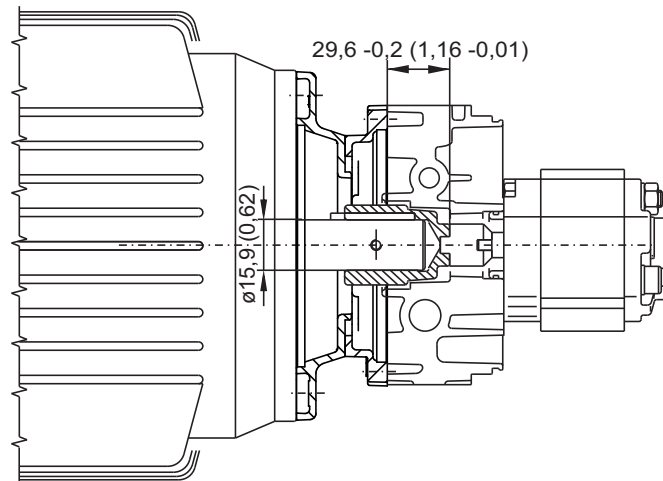


MOUNTING KIT FOR NEMA 56C AC MOTORS

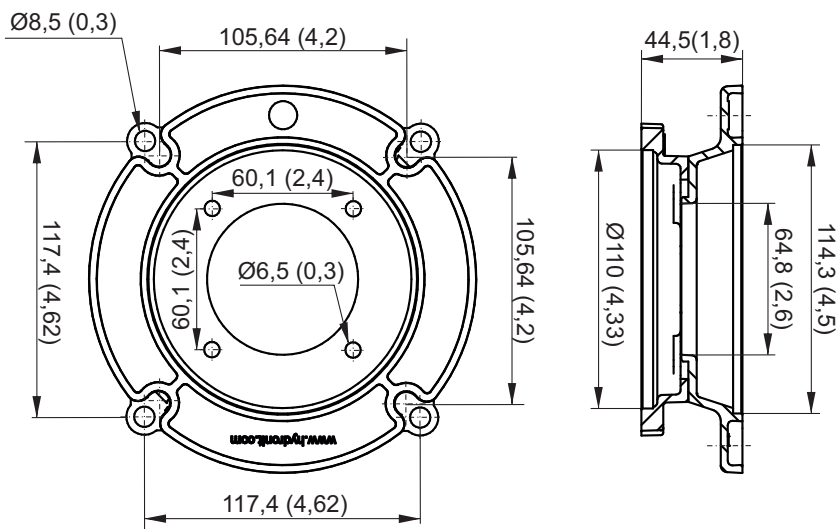


IMPROVED

Kit weight: 0,81 kg (1,8 lbs)



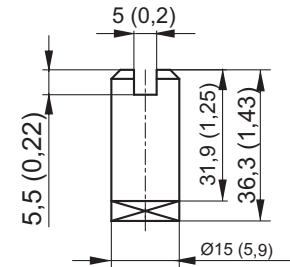
Adaptor flange



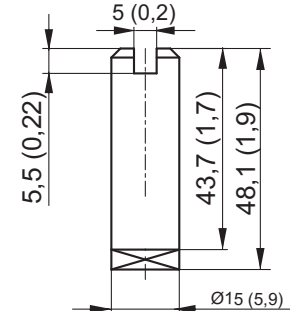
Weight: 0,41kg (0,9 lbs)

Couplings

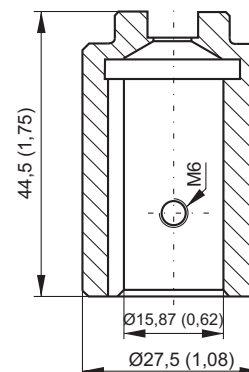
Pump side gr.1 side **E36100006** Weight: 0,04 kg



Pump side gr.0 **E36100009** Weight: 0,05 kg



Motor side **E36156C01** Weight: 0,36 kg



Description	Assembly code*	Spare part code
Nema 56C motor side half-coupling	X56C -0 (pumps gr.0) -1 (pumps gr.1)	E36156C01
Pump side half-coupling		E36100009 (gr.0) E36100006 (gr.1)
Nema 56C adaptor flange		F27056C03

* Note: The coupling+flange kit is already included when specifying a Nema 56C motor in PPC assembly code. Nema 56C flange assembly code has to be indicated only when ordering PPC with no motor but with coupling+flange kit.

Attention! When assembling Nema 56C-face motors with XB56C-1 flange+couplings kit, please respect positioning tolerances as per top drawing. Failure to do so can cause malfunctioning or component failure.