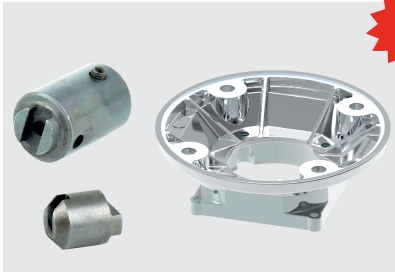


# SECTION A

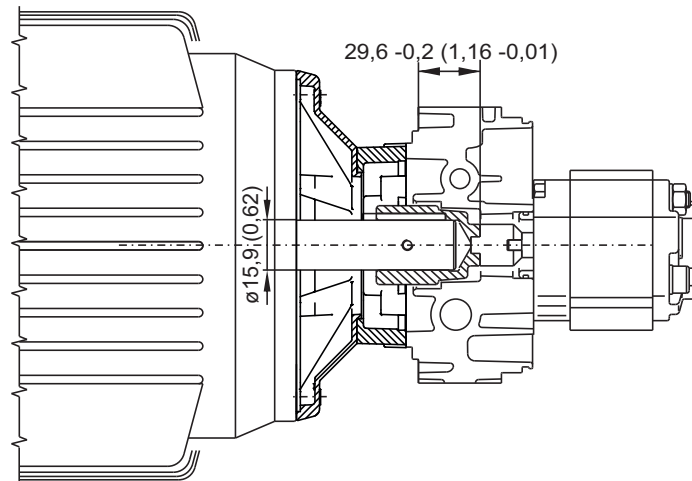


## MOUNTING KIT FOR NEMA 184TC AC MOTORS

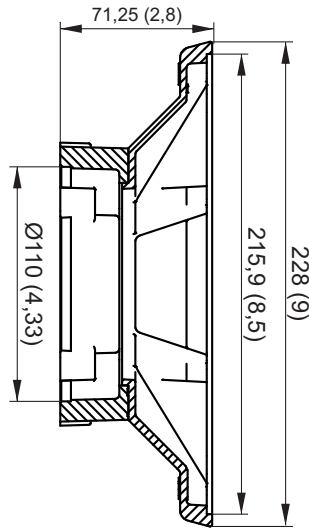
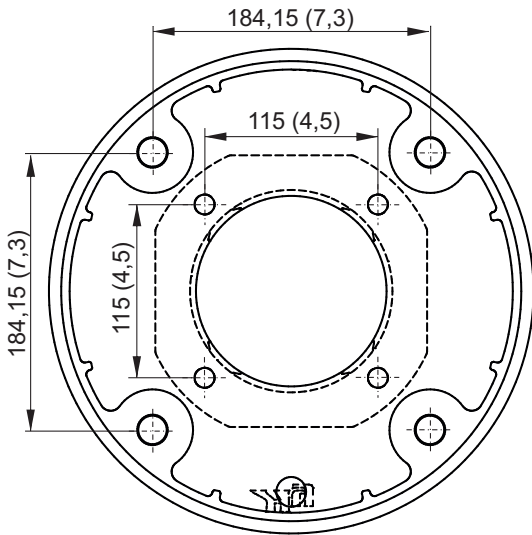


**NEW**

Kit weight: 1,85 kg (4,1 lbs)



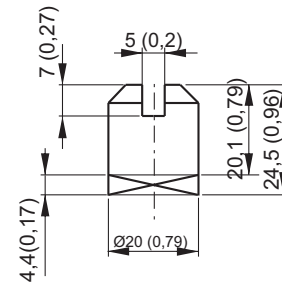
**Adaptor flange**



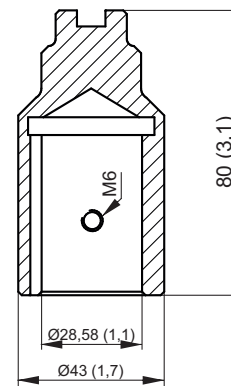
Weight: 1,4 kg (3,1 lbs)

**Couplings**

Pump side gr.1 side **E36100000** Weight: 0,05 kg



Motor side **C184TC** Weight: 0,36 kg



Description	Assembly code*	Spare part code
Nema 184TC motor side half-coupling	<b>X184TC -1 (pumps gr.1)</b>	<b>C184TC</b>
Pump side half-coupling		<b>E36100000 (gr.1)</b>
Nema 184TC adaptor flange		<b>X184TC03</b>

\* Note: The coupling+flange kit is already included when specifying a Nema 184TC motor in PPC assembly code. Nema 184TC flange assembly code has to be indicated only when ordering PPC with no motor but with coupling+flange kit.

**Attention!** When assembling Nema 184TC-face motors with XB184TC-1 flange+couplings kit, please respect positioning tolerances as per top drawing. Failure to do so can cause malfunctioning or component failure.