

# SECTION A



## ELASTIC MOUNTING KIT FOR GASOLINE ENGINE

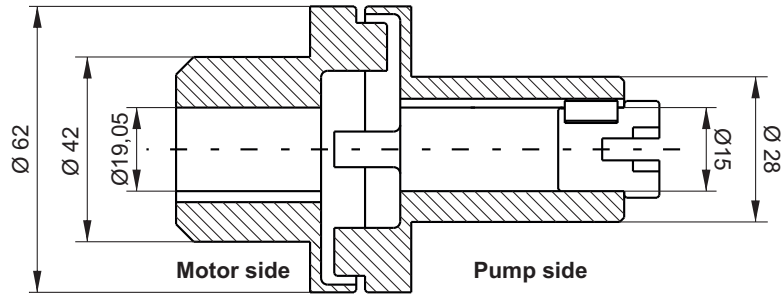


**NEW**

Kit weight: 1,9 Kg

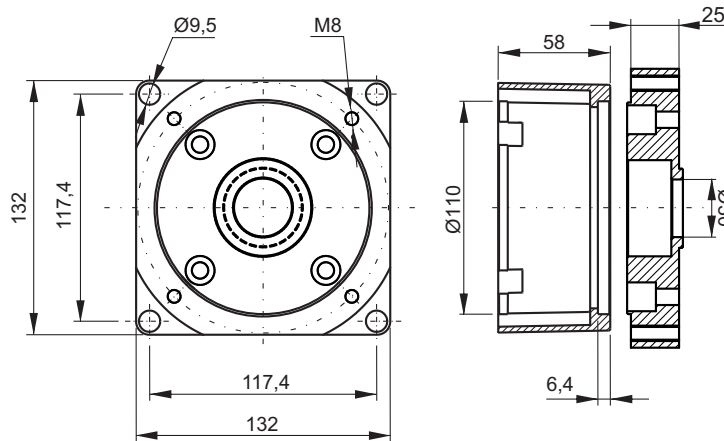
### Elastic coupling

Elastic coupling **T54001010** Weight: 0,34 Kg



### Adaptor flanges

Adaptor flange **FTE270000** Weight: 1,56 Kg



Description	Assembly code*	Spare part code
Elastic coupling	XB14E GE	T54001010
Gasoline engine adaptor kit flange		FTE270000

This elastic mounting kit for gasoline engine can be used also for other types of engine. For example:

- Honda GTX with Q shaft
- Kohler with 3/4" shaft
- Yanmar with E-D L48N shaft
- Yamaha with PTO type A and M. face A shaft
- Subaru with 3/4" shaft

\* Note: The coupling+flange kit is already included when specifying a B14 motor in PPC assembly code. XB14GE code has to be indicated only when ordering PPC with no motor but with coupling+flange kit. For increase IP protection degree with B14 flanges you can add the optional bracket code MP001.

**Attention!** When assembling frame B14 motors with XB14 flange+coupling kit, please respect positioning tolerances as per top drawing. Failure to do so can cause malfunctioning or component failure.