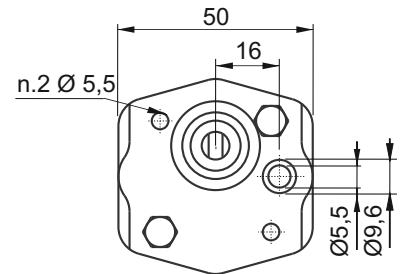
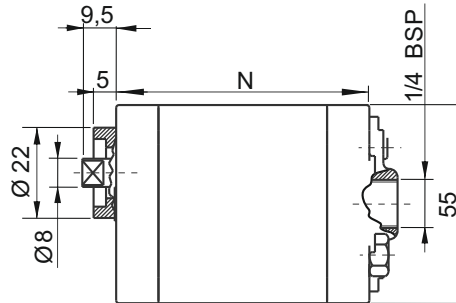


# SECTION C



## G TYPE GEAR PUMPS

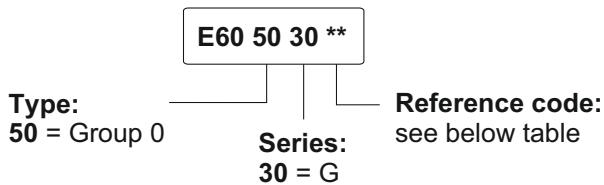


### Main features

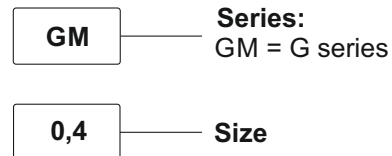
Oil temperature	-15 ÷ +80 °C
Inlet pressure	0,7 < P < 3,0 bar (absolute pressure)
Fixing bolts	2 x M5 8.8 class steel tightening torque: 8 ÷ 9,5 Nm
Pressure limits definition	Peak pressure: cycle 2 s ON Intermittent pressure: cycle 20 s ON Continuous pressure: cycle always ON

Standard rotation direction: clockwise (from shaft side).  
Counterclockwise rotation pumps can be mounted on request.  
Ask our sales department.

### Spare part code



### Assembly code



### Available range

Nominal displacement [cc/rev]	Peak pressure [bar]	Intermittent pressure [bar]	Continuous pressure [bar]	Max speed [rpm]	N [mm]	Bolts* [mm]	Code marked on pump	Spare part code	Weight [Kg]
0,19	230	210	190	7000	43,6	M5x65	UK0,25D18G	E60503001	0,49
0,26	230	210	190	7000	44,6	M5x55	UK0,25D24G	E60503002	0,50
0,38	230	210	190	7000	46,6	M5x60	UK0,25D36G	E60503004	0,51
0,64	230	210	190	7000	53,5	M5x65	UK0,5D0,75G	E60503006	0,52

\* One or more washers are always fitted to secure the bolt engagement  
Other pumps with different displacement/pressure/speed are available on request.