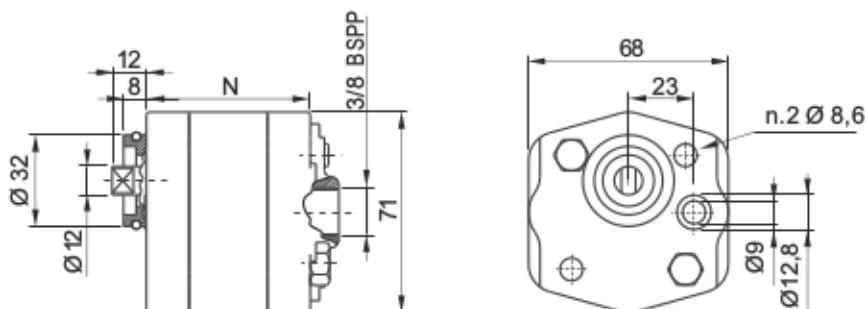


SECTION C



G SERIES GEAR PUMPS, GROUP 1

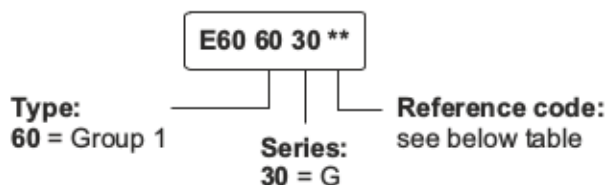


Main features

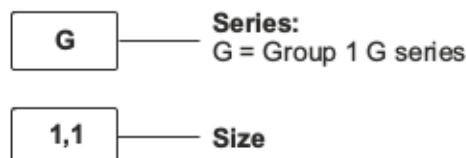
Oil temperature	-15 + +80 °C
Inlet pressure	0,7 < P < 3,0 bar (absolute pressure)
Fixing bolts	2 x M8 8.8 class steel tightening torque: 21 + 25 Nm
Pressure definition	Peak pressure: cycle 2 s ON Intermittent pressure: cycle 20 s ON Continuous pressure: cycle always ON

Standard rotation direction: clockwise (from shaft side).
Counterclockwise rotation pumps can be mounted on request.
Ask our sales department.

Spare part code



Assembly code



Available range

Nominal size	Displacement [cc/rev]	Peak pressure [bar]	Intermittent pressure [bar]	Continuous pressure [bar]	Max speed [rpm]	N [mm]	Bolts* [mm]	Code marked on pump	Spare part code	Weight [Kg]
G0,8	0,85	250	230	210	6000	36,3	M8x55	EK1PD1.3G	E60603001	0,49
G1,1	1,15	250	230	210	6000	36,7	M8x55	EK1PD1.6G	E60603002	0,50
G1,3	1,3	250	230	210	6000	37,7	M8x55	EK1PD2G	E60603003	0,51
G1,6	1,6	250	230	210	6000	38,7	M8x55	EK1PD2.5G	E60603035	0,52
G2,1	2,1	250	230	210	6000	40,2	M8x55	EK1PD3.3G	E60603004	0,54
G2,6	2,6	250	230	210	6000	42,2	M8x60	EK1PD4.2G	E60603005	0,56
G3,2	3,2	230	210	190	5000	43,7	M8x60	EK1PD5G	E60603006	0,58
G3,7	3,7	230	210	190	4500	45,7	M8x60	EK1PD5.8G	E60603007	0,61
G4,2	4,2	230	210	190	4000	47,1	M8x65	EK1PD6.7G	E60603008	0,63
G4,9	4,9	210	190	170	3500	49,2	M8x65	EK1PD7.5G	E60603009	0,65
G6,0	6,0	210	190	170	3000	52,8	M8x70	EK1PD9.2G	E60603010	1,01
G7,9	7,9	200	180	160	2100	88,2	M8x105	K1PD11.5G	E60603012	1,12
G9,8	9,8	170	150	130	1700	95,1	M8x110	K1PD15G	E60603014	1,27

* One or more washers are always fitted to secure the bolt engagement