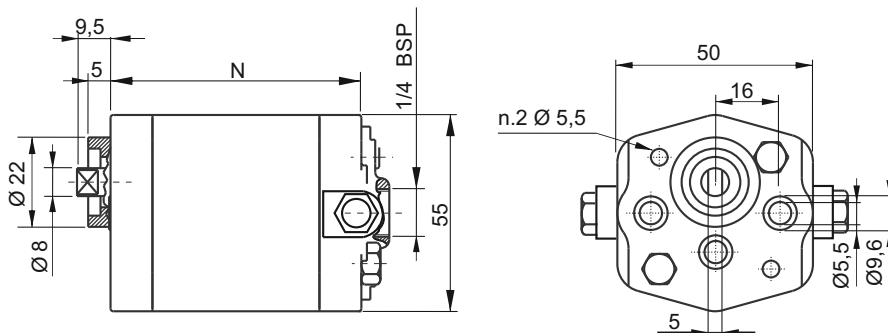


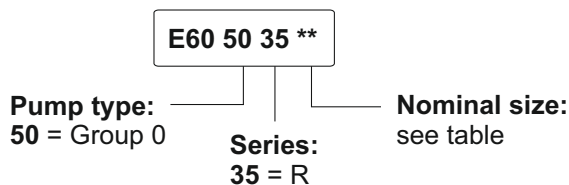
R TYPE BIDIRECTIONAL GEAR PUMPS



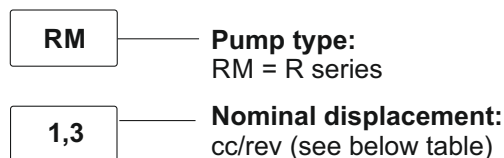
Main features

Oil temperature	-15 ÷ +80 °C
Inlet pressure	0,7 < P < 3,0 bar
Fixing bolts	2 x M5 8.8 steel class tightening torque: 25 Nm
Pressure definition	Peak pressure: cycle 2 s ON Intermittent pressure: cycle 20 s ON Continuous pressure: cycle always ON

Spare part code



PPM assembly code



Available range

Nominal size	Nominal displacement [cc/rev]	Peak pressure [bar]	Intermittent pressure [bar]	Continuous pressure [bar]	Max speed [rpm]	N [mm]	Bolts* [mm]	Code marked on pump	Spare part code	Weight [Kg]
R0,1	0,19	190	170	150	7000	44,5	M5x55	U0.25R18GVNKX	E60503501	0,38
R0,2	0,26	190	170	150	7000	45,6	M5x55	U0.25R24GVNKX	E60503502	0,39
R0,3	0,32	190	170	150	7000	46,5	M5x60	U0.25R30GVNKX	E60503503	0,42
R0,4	0,38	190	170	150	7000	47,7	M5x60	U0.25R36GVNKX	E60503504	0,43
R0,5	0,51	190	170	150	7000	49,6	M5x60	U0.25R48GVNKX	E60503505	0,44
R0,7	0,64	190	170	150	7000	55,6	M5x65	U0.5R0,75GVNKX	E60503506	0,46
R0,9	0,88	190	170	150	7000	56,6	M5x70	U0.5R1,00GVNKX	E60503509	0,48
R1,3	1,25	190	170	150	5000	59,6	M5x70	U0.5R1,60GVNKX	E60503513	0,49
R1,5	1,5	190	170	150	4000	61,6	M5x75	U0.5R2,00GVNKX	E60503515	0,58

Other gear pumps with different pressure and speed available upon request.

* Washers may be fitted to adapt bolt length