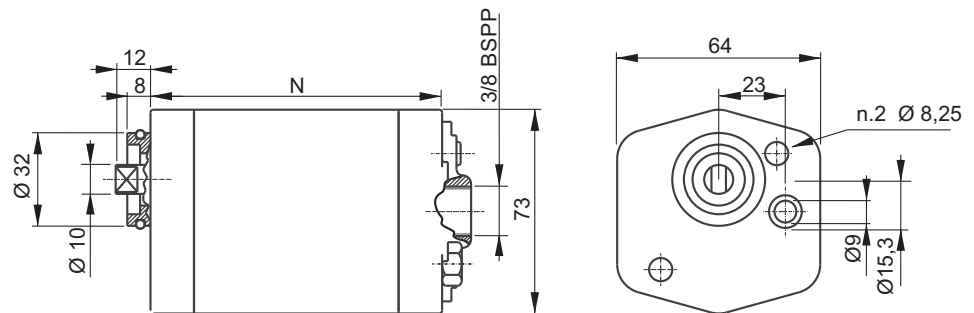


S SERIES HELICOIDAL GEAR SILENT PUMPS, GROUP 1

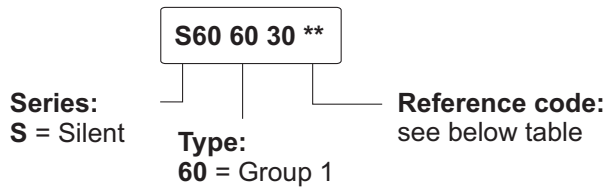


Main features

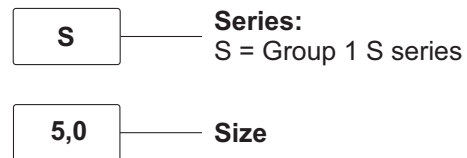
Oil temperature	-15 ÷ +80 °C
Inlet pressure	0,7 < P < 3,0 bar (absolute pressure)
Fixing bolts	2 x M8 8.8 class steel tightening torque: 21 ÷ 25 Nm
Pressure definition	Peak pressure: cycle 2 s ON Intermittent pressure: cycle 20 s ON Continuous pressure: cycle always ON

Standard rotation direction: clockwise (from shaft side).
Counterclockwise rotation pumps can be mounted on request.
Ask our sales department.

Spare part code

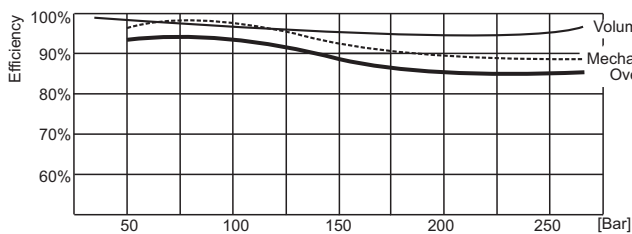


Assembly code



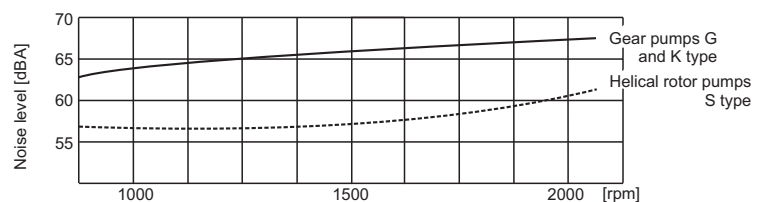
Available range

Nominal size	Displacement [cc/rev]	Peak pressure [bar]	Intermittent pressure [bar]	Continuous pressure [bar]	Max speed [rpm]	N [mm]	Bolts* [mm]	Noise level [dbA]**	Spare part code	Weight [Kg]
S2,2	2,2	280	250	210	3500	66,4	M8x85	50	S60603004	0,85
S3,2	3,2	280	250	210	3200	70,2	M8x85	51	S60603006	0,9
S4,3	4,3	280	250	210	2800	81,8	M8x100	52	S60603008	0,95
S5,0	5,0	260	235	210	2000	83,8	M8x100	52	S60603009	1,1
S6,0	6,4	210	190	180	2000	87	M8x105	57	S60603010	2,03
S8,3	8,3	210	190	150	3600	98,0	M8x115	57	S60603012	2,08
S10	10,2	190	170	126	3600	103,0	M8x120	57	S60603014	2,12
S13	12,9	160	140	99	3600	108,9	M8x125	57	S60603016	2,15



Note: reference values measured at 1500rpm with oil ISO VG 46 cSt at 40 °C.

* One or more washers are always fitted to secure the bolt engagement



** The noise level is for guidance only since it depends on the values of the resonance of the mounting structure and other components of the system.