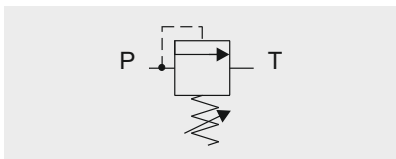
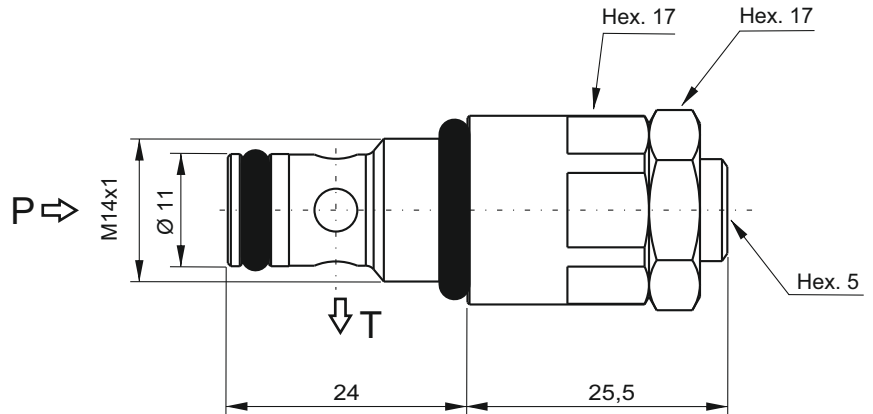


SECTION D



VMDC15 - DIRECT ACTING MAIN RELIEF VALVE



Main features

Maximum pressure	280 bar
Maximum flow	15 l/min
Weight	0,06 kg

Recommended tightening torque: 25 Nm
 Recommended filtration settings: 25 + 50 µ
 Oil temperature: -30 + + 80 °C

Spare part code

- VMDC** — Direct acting main relief valve
- 15** — Nominal size:
15 = 15 l/min
- B** — Working range:
L = 10 ÷ 60 bar
A = 10 ÷ 180 bar
B = 20 ÷ 280 bar
- 1** — Options:
1 = screw (std)

Assembly code

DM_***

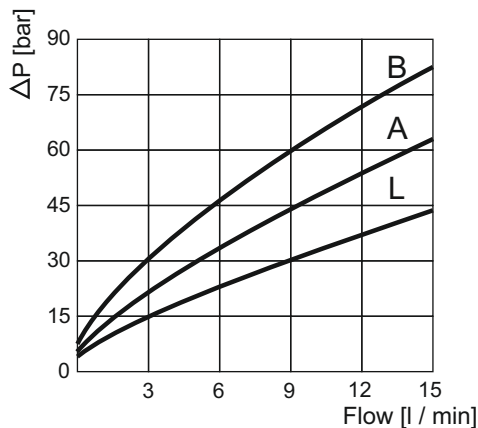
where *** stands for max setting pressure [bar]. Ex. DM_280

Mounting cavities

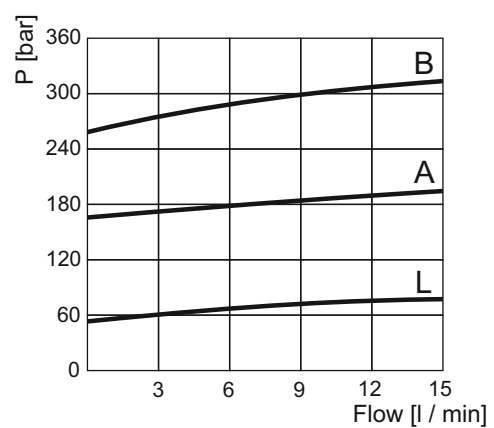
0	1		
2	3	4	
5		7	8

Note: cavity 4 only for MR type.

Minimum setting pressure



Pressure vs flow



Note: Values measured on valve alone (no cavity) with an oil viscosity of 46 cSt at 50 °C. Pressure drop may change depending on fluid viscosity and temperature