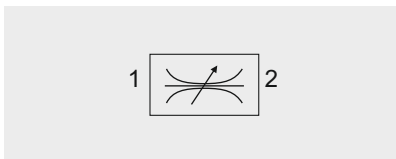
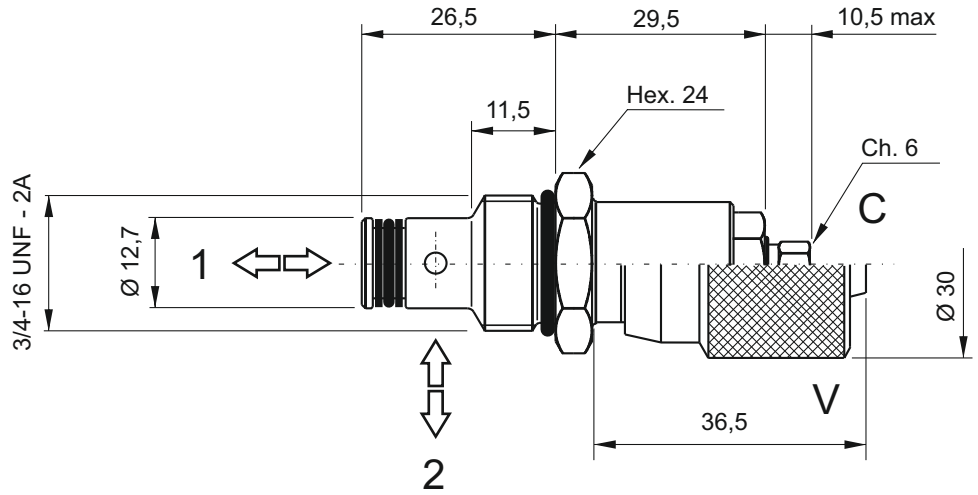


# SECTION D



## CSB - BIDIRECTIONAL FLOW CONTROL VALVE



### Main features

Max pressure	300 bar
Max flow	15 l/min
Weight	0,08 kg

Recommended tightening torque: 25 Nm  
 Recommended filtration: 25 ÷ 50 µ  
 Oil temperature: -30 ÷ + 80 °C

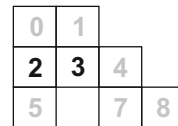
### Spare part code

- CSB** — Flow control valve
- 04** — Nominal size:  
04 = 3/4-16 UNF
- C** — Adjustment:  
C = screw (std)  
V = handwheel

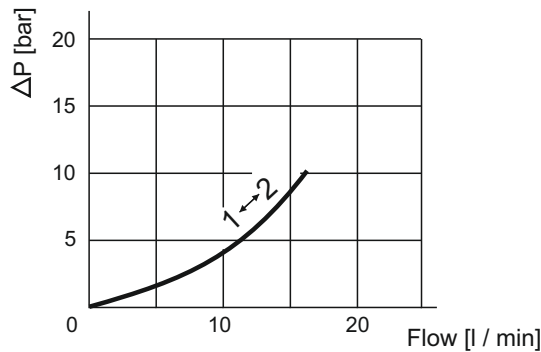
### Assembly code

**S**

### Mounting cavities



### Pressure drop diagram



Note: Values measured on valve alone (no cavity) with an oil viscosity of 46 cSt at 50 °C. Pressure drop may change depending on fluid viscosity and temperature