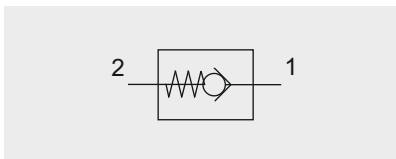
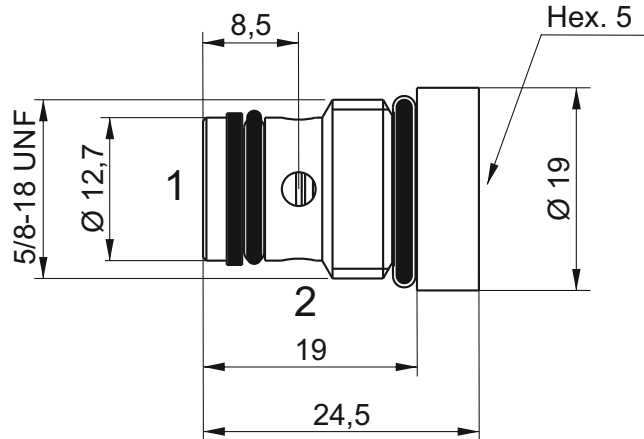


SECTION D



VUC10 - BASIC CHECK VALVE



Main features

Max pressure	350 bar
Max flow	15 l/min
Weight	0,045 kg
Cracking pressure	1 bar

Recommended tightening torque: 25 Nm
 Recommended filtration settings: 25 + 50 µ
 Oil temperature: -30 + + 80 °C

Spare part code

VUC — Check valve

10 — Nominal size:
10

- — Options:
- = ball type
C = poppet type

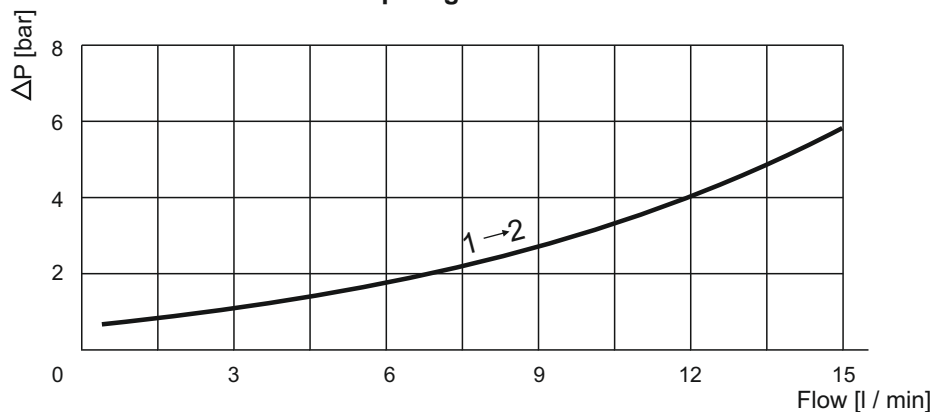
Assembly code

JM (VUC10)
JP (VUC10C)

Mounting cavities

0	1	
2	3	4
5		7 8

Pressure drop diagram



Note: Values measured on valve alone (no cavity) with an oil viscosity of 46 cSt at 50 °C. Pressure drop may change depending on fluid viscosity and temperature