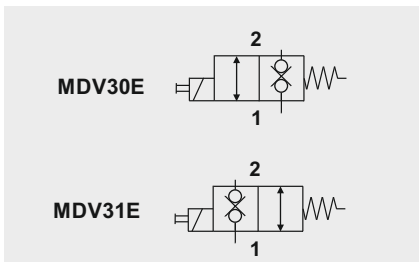
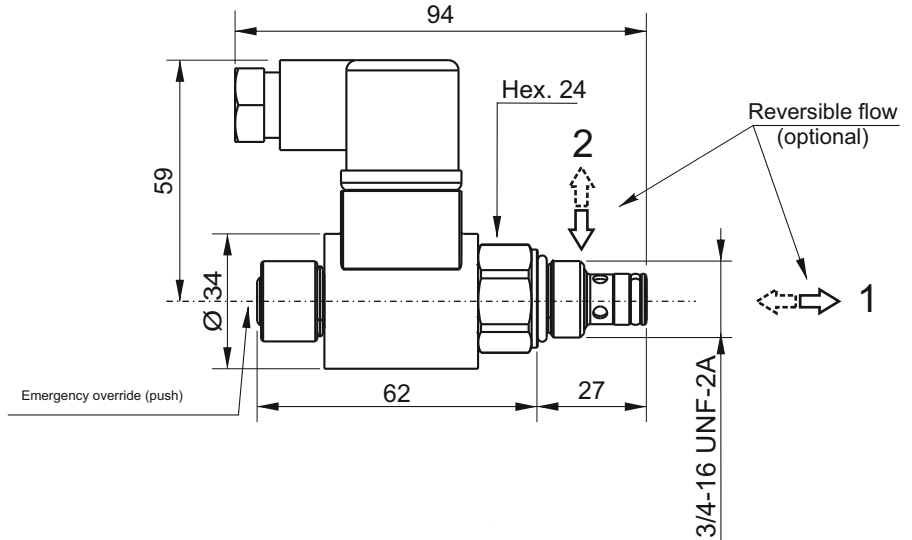
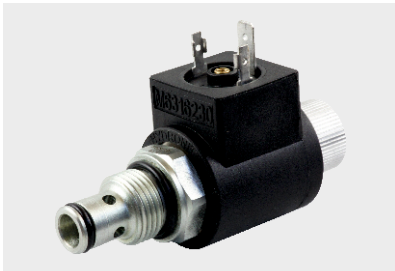


SECTION D



MDV - DIRECT OPERATED TWO-WAY DOUBLE LOCKING SOLENOID VALVES



Main features

Max pressure	up to 250 bar
Max flow	up to 15 l/min
Weight	0,11 Kg (without coil)
Internal leakage	5 drops/min at 350bar
Response time	30ms (energizing) 50ms (de-energizing)
Available voltage	12VDC 24VDC 24VAC 110RAC 220RAC
Coils (see coils table)	M140 series
Normatives	EN50081-1/EN50082-2 (89/336 CEE electromagnetic comp.) 73/23/CEE / 96/68/CEE (low voltage)

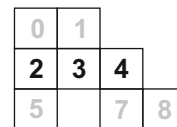
Spare part code

- MDV** — Two-way double blocking solenoid valve
- 30** — Operation:
30 = normally closed
31 = normally open
- E** — Option:
E = emergency (std)
- 0000** — Supply voltage:
0000 = no coil (std)
see coils table

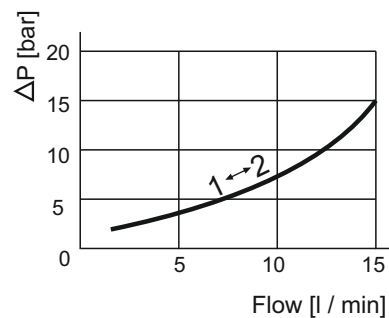
Assembly code

- D** (MDV30E) Voltage
 - M** (MDV31E) Voltage
- Ex: D12DC

Mounting cavities



Pressure drop diagram



Recommended tightening torque: 25 Nm
 Recommended filtration: 25 + 50 μ
 Oil temperature: -30 + + 80 °C

Note: Values measured on valve alone (no cavity) with an oil viscosity of 46 cSt at 50 °C. Pressure drop may change depending on fluid viscosity and temperature