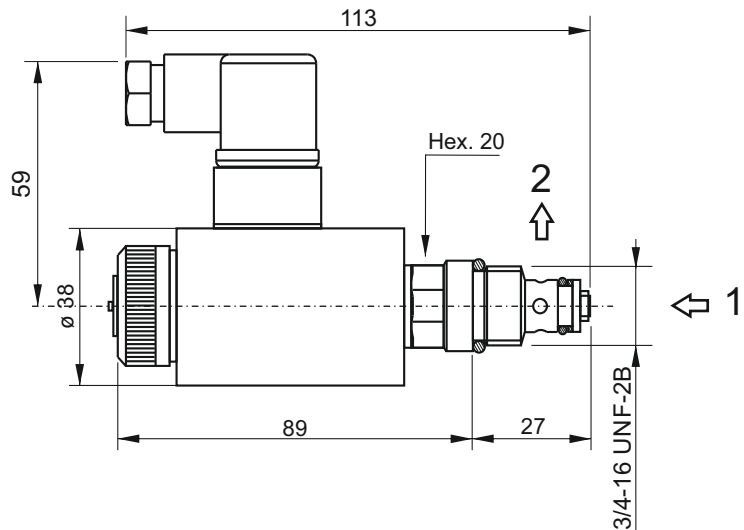


SECTION D



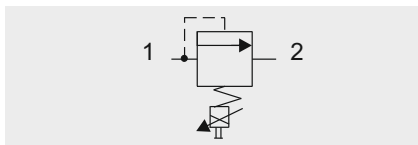
VMPC2 - PROPORTIONAL PRESSURE RELIEF VALVE



Coils

Supply Voltage	Coil code	Connector code
12DC	98001190	KA132000B1
24DC	98002190	KA132000B1

For the controller see the VPC table in D section



Main features

Max pressure	350 bar
Max flow	2l/min
Weight	0,46 Kg
PWM	120Hz
Hysteresis	5%
Duty cycle	ED 100%
Voltage	+/- 10% nominal voltage
Normatives	EN50081-1/EN50082-2(89/336 CEE electr. comp.) - 73/23/CEE / 96/68/CEE (low voltage)

Spare part code

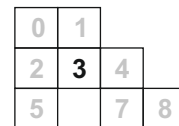
- VMPC** — Direct acting proportional relief valve
- 2** — Nominal size:
2 = 2 l/min
- C** — Working range:
A = 10 ÷ 80 bar
C = 40 ÷ 250 bar
- E** — Options:
E = emergency (std)
- 0000** — Supply voltage:
- 0000 = no coil
- 12DC
- 24DC
see coils table

Assembly code

P* Voltage**

where *** stands for max setting pressure [bar]. eg. P25012DC

Mounting cavities

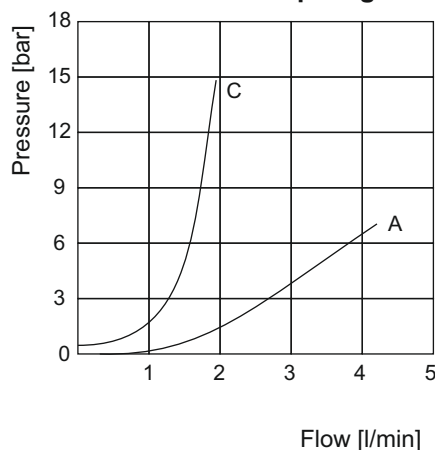


Recommended tightening torque: 25Nm
Recommended filtration: 25 ÷ 50 μ
Oil temperature: -30 ÷ + 80 °C

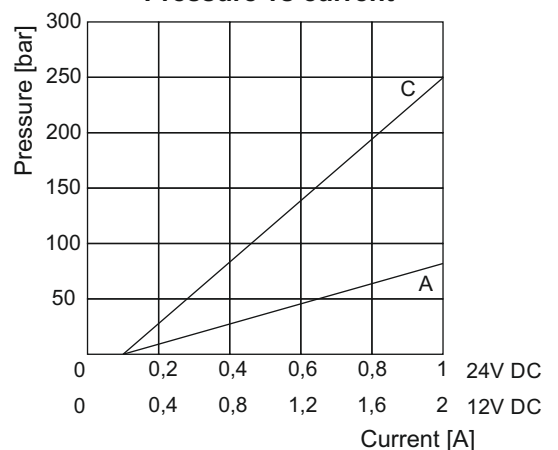
For the controller see table D170

Note: Supplying current to the coil from 0 to I max (see diagram), a proportional pressure variation is obtained on port P.

Pressure drop diagram



Pressure vs current



Note: Values measured on valve alone (no cavity) with an oil viscosity of 46 cSt at 50 °C. Pressure drop may change depending on fluid viscosity and temperature.