

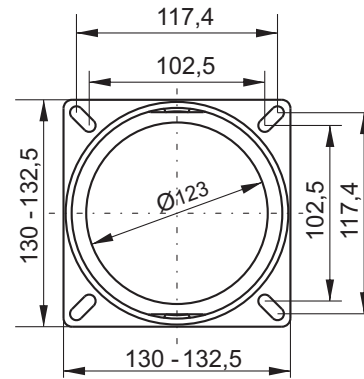
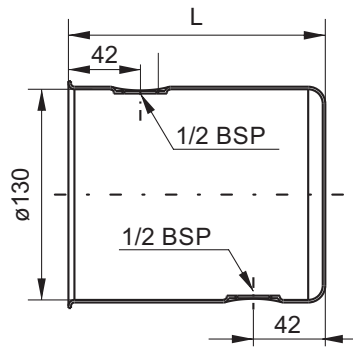
# SECTION E



## CYLINDRICAL STEEL TANKS A & B SERIES



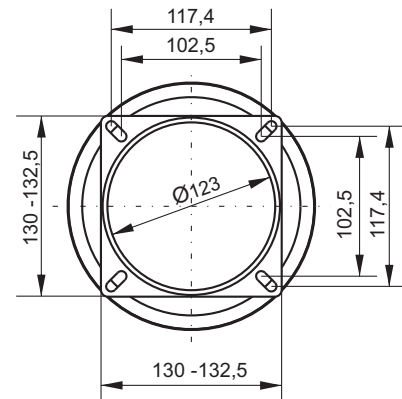
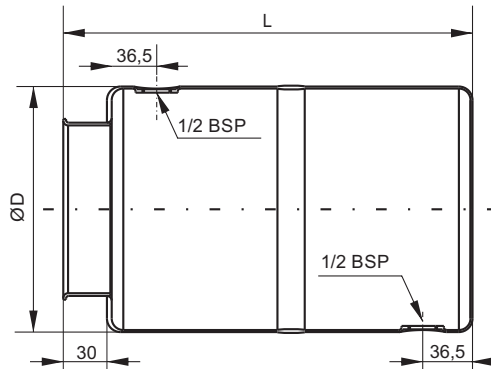
Recommended tightening torque for Filler Cap: 5 Nm



Description	Spare part code	Assembly code	L (mm)	Weight	Actual filling volume (lt)	
					Horizontal	Vertical
1,5 l cylindrical horizontal / vertical mounting	E60303001	1,5A / 1,5AV	150	0,78 Kg	1,5	1,0
2,5 l cylindrical horizontal / vertical mounting	E60303004	2,5A / 2,5AV	235	1,04 Kg	2,5	2,0



Recommended tightening torque for Filler Cap: 5 Nm



Description	Spare part code	Assembly code	L (mm)	ØD (mm)	Weight	Actual filling volume (lt)	
						Horiz.	Vert.
5 l cylindrical horizontal / vertical mounting	E60303006	5B / 5BV	300	180	1,82 Kg	6,3	5,1
10 l cylindrical horizontal / vertical mounting	E60303011	10B / 10BV	262	220	2,01 Kg	8,3	6,3
12 l cylindrical horizontal / vertical mounting	E60303012	12B / 12BV	380	220	2,47 Kg	12,5	10,9

All dimensions are in mm

<b>Material</b>	Fe P04-EN10130 steel sheet 1,5mm thickness
<b>Fluid</b>	Mineral based oil ISO/DIN 6743/4
<b>Working temperature</b>	-15 / +70°C

Notes: the piping kit, standard suction filter, filler/breather and drain plug are included when specifying the tank in PPC assembly code. When ordering spare parts, only the drain plug and filler/breather are included.