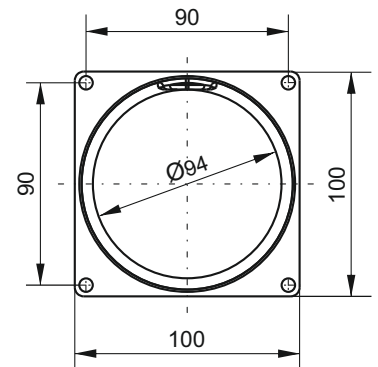
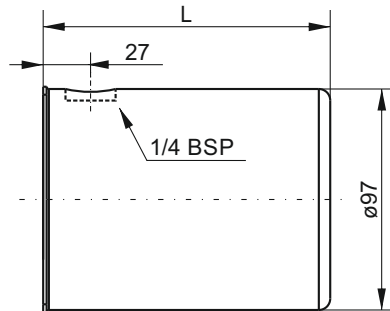


ROUND PLASTIC TANKS R SERIES



Description	Spare part code	Assembly code	L (mm)	Weight	Actual filling volume (lt)	
					Horizontal	Vertical
0,4 l round horizontal / vertical mounting	H50403001	0,4R / 0,4RV	90	0,07 Kg	0,45	0,35
0,7 l round horizontal / vertical mounting	H50403002	0,7R / 0,7RV	124	0,09 Kg	0,75	0,62
1,2 l round horizontal / vertical mounting	H50403003	1,2R / 1,2RV	186	0,14 Kg	1,17	1,05

Material	PE-HD neutral / transparent color (DO NOT EXPOSE TO DIRECT SUNLIGHT)
Fluid	Mineral based oil ISO/DIN 6743/4
Working temperature	-15 / +70°C

Note: the piping kit, standard suction filter, filler/breather and discharge plug are included when specifying the tank in PPM assembly code

When ordering spare parts, only the discharge plug and filler/breather are included