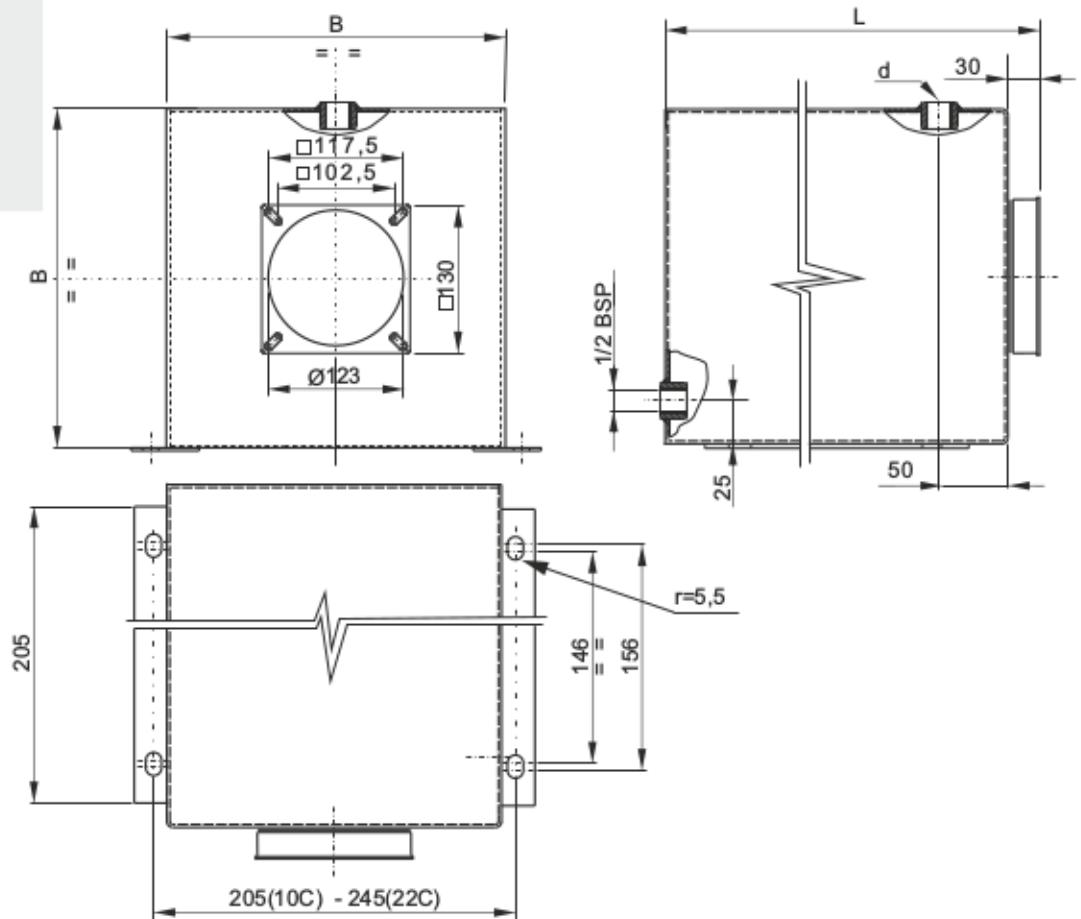


HORIZONTAL/VERTICAL SQUARE WELDED STEEL TANKS C SERIES



Description	Spare part code	Assembly code	L (mm)	B (mm)	ØD (mm)	Weight	Actual filling volume (lt)	
							Horiz.	Vertical
10 l square horiz. / vert. mounting	E60303042	10C / 10CV	330	185	1/2 BSP	5,50 Kg	9,6	8,1
22 l square horiz. / vert. mounting	E60303044	22C / 22CV	470	223	3/4 BSP	6,80 Kg	20,6	18,5

All dimensions are in mm

Material	Fe P04-EN10130 steel sheet 1,5mm thickness
Fluid	Mineral based oil ISO/DIN 6743/4
Working temperature	-15 / +70°C

Notes: the piping kit, standard suction filter, filler/breather and drain plug are included when specifying the tank in PPC assembly code. When ordering spare parts, only the drain plug and filler/breather are included.

On request special square welded tanks can be manufactured. An inquiry must be sent to our technical department with indication of quantities.