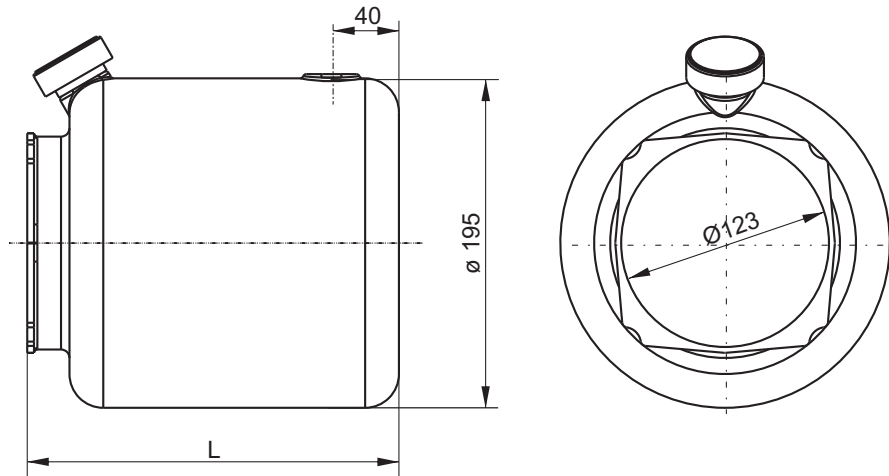


SECTION E



CYLINDRICAL PLASTIC TANKS P SERIES



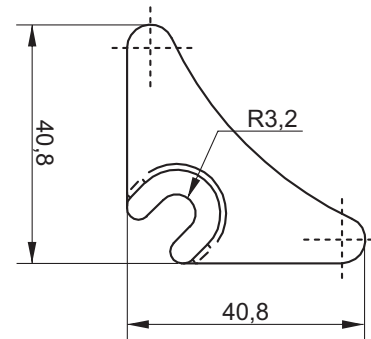
Description	Spare part code	Assembly code	L (mm)	Weight	Actual filling volume (lt)	
					Horizontal	Vertical
5 l cylindrical horizontal / vertical mounting	H60303028	5P / 5PV	219	0,60 Kg	5,0	4,2
7 l cylindrical horizontal / vertical mounting	H60303030	7P / 7PV	271	0,61 Kg	6,0	5,5
9 l cylindrical horizontal / vertical mounting	H60303032	9P / 9PV	323	0,76 Kg	7,2	6,5
11 l cylindrical horizontal / vertical mounting	H60303035	11P / 11PV	453	1,06 Kg	9,0	10,5

Material	PE-HD neutral / transparent colour (DO NOT EXPOSE TO DIRECT SUNLIGHT)
Fluid	Mineral based oil ISO/DIN 6743/4
Working temperature	-15 / +70°C

Clamping brackets



Clamp code
E60513022



Notes: 4 x E60513022 mounting clamp brackets and a clamp band are required to fix P series cylindrical plastic tanks.

Notes: the piping kit, standard suction strainer and filler/breather are included when specifying the tank in PPC assembly code. When ordering spare tanks, only the filler/breather C86100001, E60513022 plate and clamp band are included. Discharge ports are normally moulded blind. On request these tanks are available with an offset collar. Ask for details.