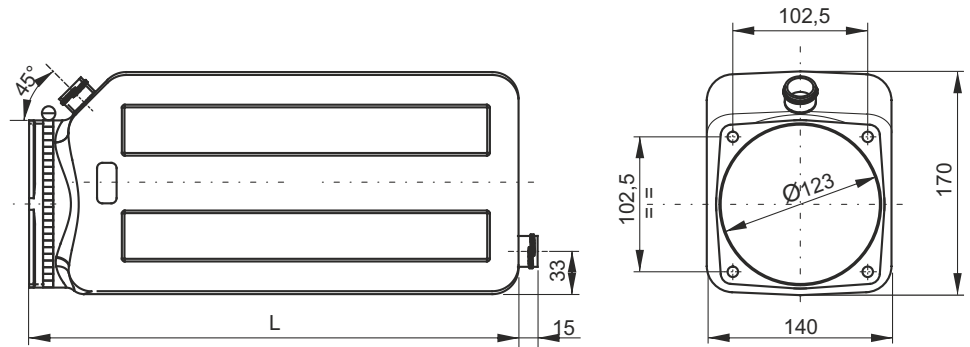
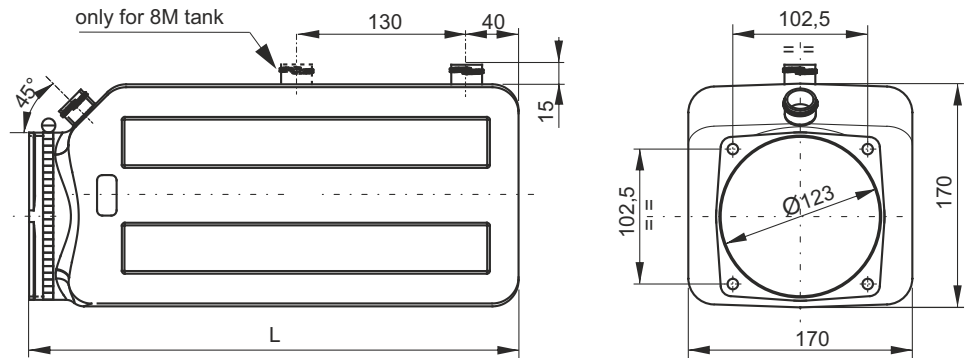


**SQUARE PLASTIC TANKS L & M SERIES**



Description	Spare part code	Assembly code	L (mm)	Weight	Actual filling volume (lt)	
					Horizontal	Vertical
1,5 l square horizontal / vertical mounting	<b>H60303016</b>	<b>1,5L / 1,5LV</b>	135	0,32 Kg	2,4	1,5
3 l square horizontal / vertical mounting	<b>H60303018</b>	<b>3L / 3LV</b>	250	0,42 Kg	4,4	4,2
6 l square horizontal / vertical mounting	<b>H60303020</b>	<b>6L / 6LV</b>	350	0,63 Kg	6,2	6,6



Description	Spare part code	Assembly code	L (mm)	Weight	Actual filling volume (lt)	
					Horizontal	Vertical
5 l square horizontal / vertical mounting	<b>H60303025</b>	<b>5M / 5MV</b>	270	0,60 Kg	5,8	5,7
8 l square horizontal / vertical mounting	<b>H60303033</b>	<b>8M / 8MV</b>	375	0,76 Kg	8,1	8,8

<b>Material</b>	PE-HD neutral / transparent colour (DO NOT EXPOSE TO DIRECT SUNLIGHT)
<b>Fluid</b>	Mineral based oil ISO/DIN 6743/4
<b>Working temperature</b>	-15 / +70°C

Notes: the piping kit, standard suction strainer and filler/breather are included when specifying the tank in PPC assembly code. When ordering spare tanks, only the filler/breather C86100003 and clamp band are included. Discharge ports are normally moulded blind.