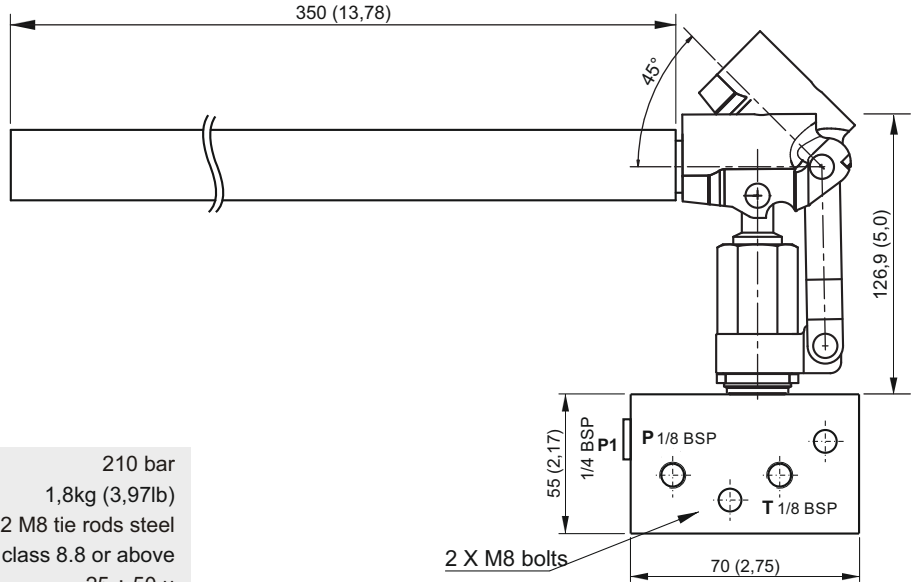


PM09 HAND PUMP MODULAR MANIFOLD



Dimensions in mm (inches)

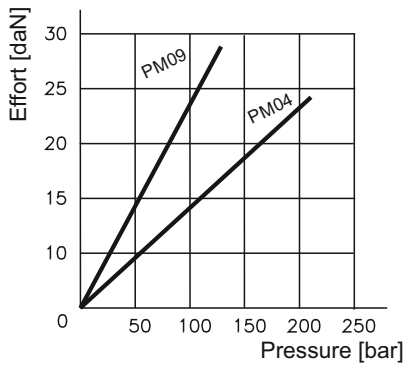
Main features

Max pressure	210 bar
Weight	1,8kg (3,97lb)
Fixing bolts	2 M8 tie rods steel class 8.8 or above
Filtration degree	25 ± 50 µ
Temperature range	-20 ÷ +70°C

Block thickness: 39mm (1,54)

Effort (daN)

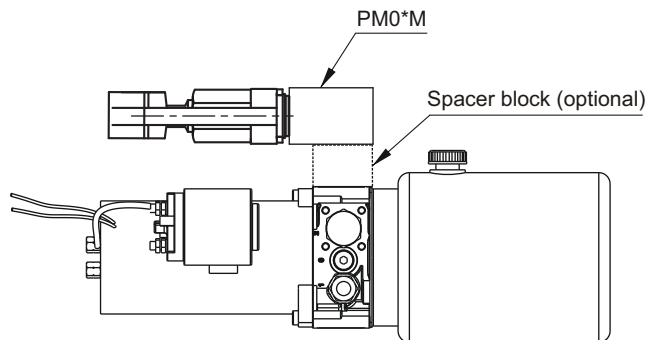
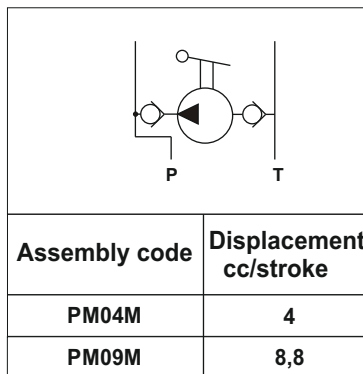
operating on the end of the standard lever



Spare part code without block

- CARTPM04L** — hand pump cartridge 4 cc 7/8-14 UNF + lever
- CARTPM09L** — hand pump cartridge 8,8 cc 7/8-14 UNF + lever

Mounting example



Recommended tightening torque for M8 bolts: 16 Nm. Attention! Do not use tie rods with steel class less than 8.8.