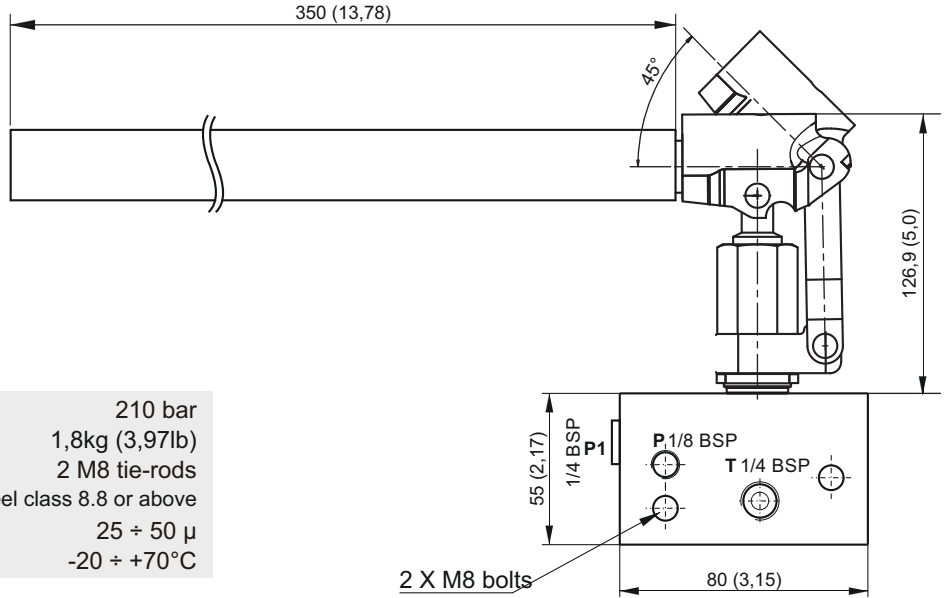


HAND PUMP MODULAR MANIFOLD

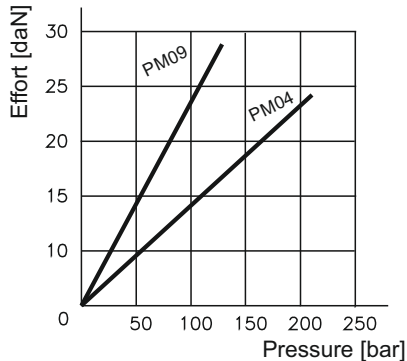


Dimensions in mm (inches)

Main features

Max pressure	210 bar
Weight	1,8kg (3,97lb)
Fixing bolts	2 M8 tie-rods steel class 8.8 or above
Filtration grade	25 + 50 μ
Fluid temperature	-20 ÷ +70°C

Effort (daN)
operating on the top of the lever

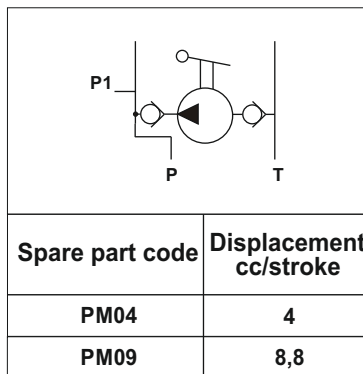


Note: Values are measured only on the valve (no cavity) with oil viscosity of 46 cSt at 50 °C. The drop of the pressure can change by the fluid viscosity and fluid temperature.

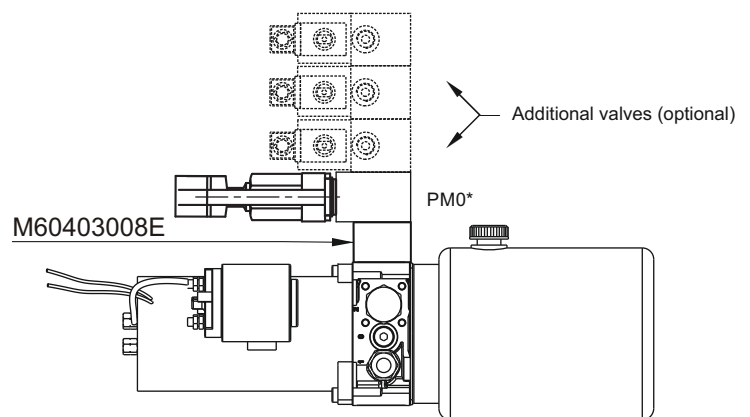
Block thickness: 39mm (1,54)

Spare part codes - cartridges only

Description	Spare part code
4cc hand pump 7/8-14UNF cartridge + lever	CARTPM04L
8,8cc hand pump 7/8-14UNF cartridge + lever	CARTPM09L



Mounting example



Note: Recommended tightening torque for M8 bolts: 16 Nm. Attention! Do not use tie-rods less than 8.8.

Commissioning: the pump must be bled by opening the plug of the unused pressure port (P or P1), pumping a few times until all air bubbles and then clean oil come out, then tightening the plug again.