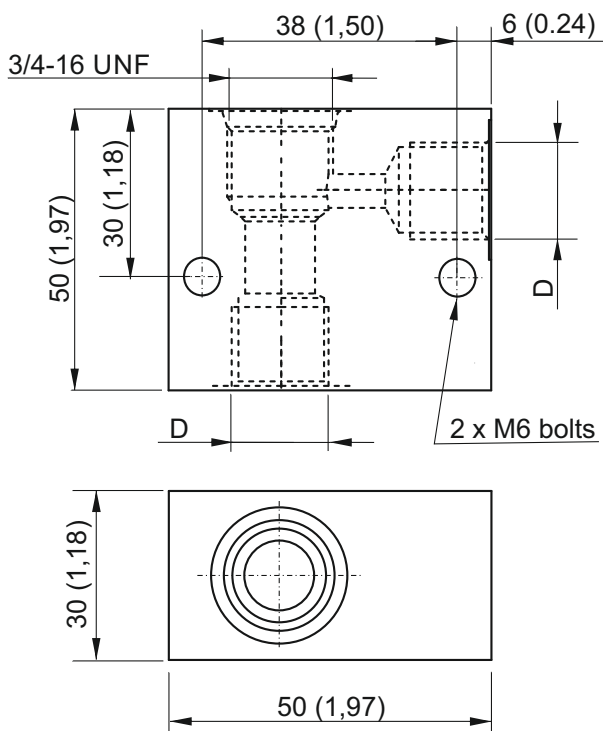


ACCESSORIES

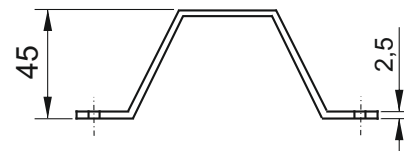


Dimensions in mm (inches)

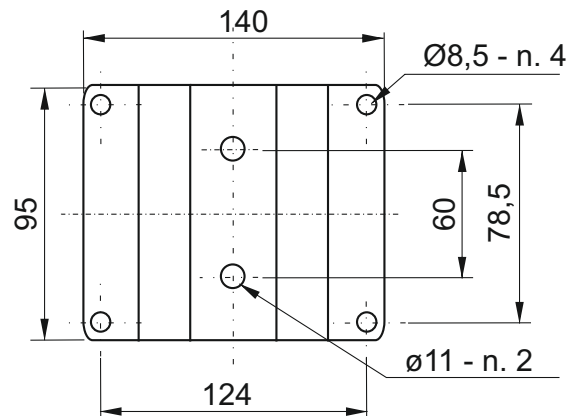
In line mounting 3/4-16 UNF 2 way manifolds



Foot mounting support



Weight: 0,35 Kg



Spare part code	D	Weight
BFCSAE0801	1/4 BSP	0,16 Kg
BFCSAE0802	3/8 BSP	0,16 Kg

Spare part code
E60543003