

SECTION F

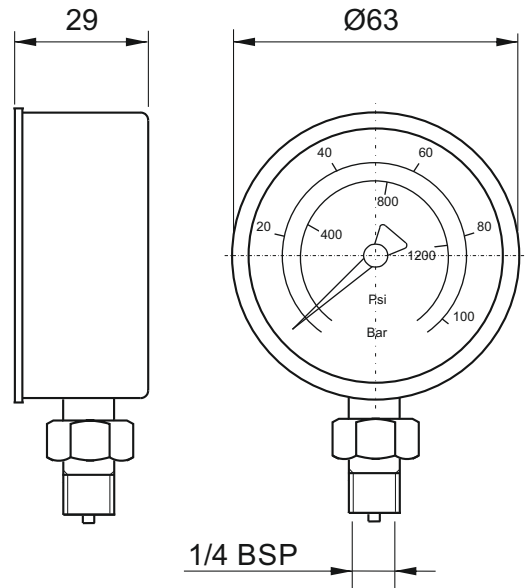


ACCESSORIES

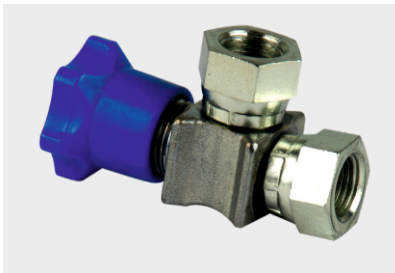


Pressure gauge

Protection degree	IP 65
Thermal drift	±0,04%/1K a 20°C
Weight	0,206 Kg
Static working pressure	75% end of scale
Peak working pressure	end of scale
Fluid temperature	-10 ÷ +60°C
Precision class	cl. 1.6 EN837-1

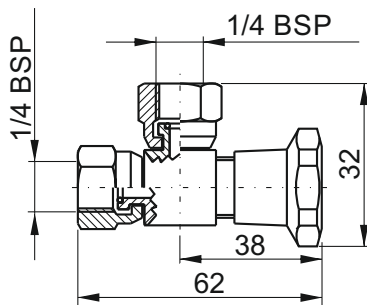


Spare part code	
MIR63***	***: max pressure in bar (60, 160, 250, 315 bar)



Gauge isolator 90° F-F

EM9001C



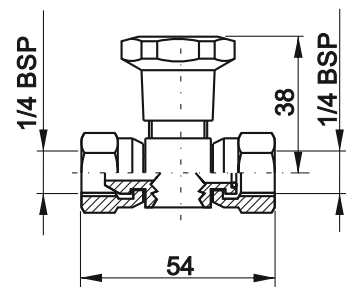
Weight: 0,14 Kg. Max working pressure: 400 bar

Spare part code
EM9001C



Gauge isolator F-F

EMIL01C



Weight: 0,14 Kg. Max working pressure: 400 bar

Spare part code
EMIL01C