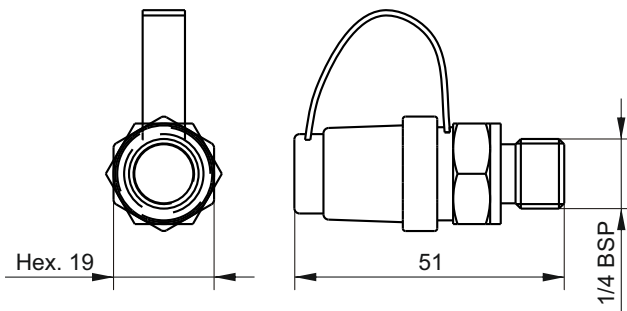
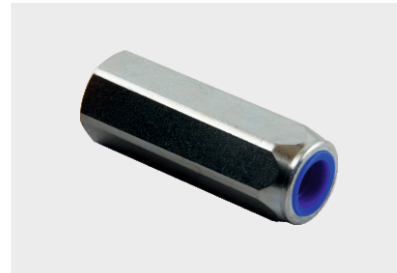


**ACCESSORIES**

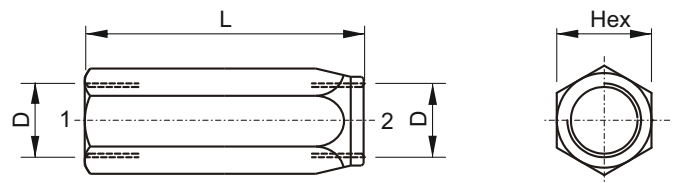


Weight: 0,05 Kg. Max working pressure: 350 bar

<b>Spare part code</b>
<b>MINIMESS01</b>



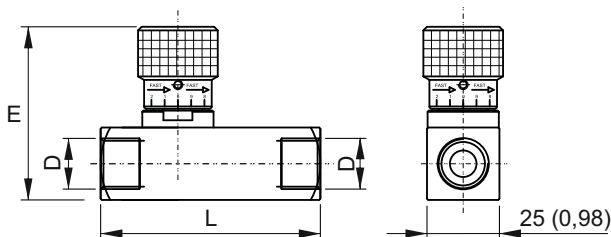
**In-line check valve**



Spare part code	D	Ch	L	Weight
<b>VUR01C</b>	1/4 BSP	19	55	0,10 kg
<b>VUR02C</b>	3/8 BSP	24	65	0,18 kg
<b>VURSAE06C</b>	9/16-18UNF	19 (0,75)	58 (2,28)	0,10 kg (0,22 lb)



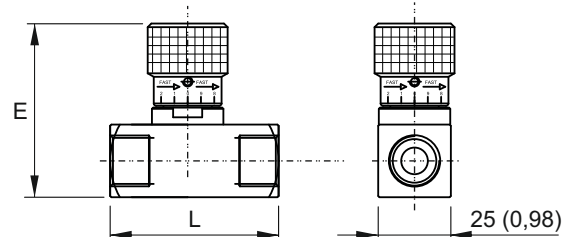
**In-line unidirectional flow control valve**



Spare part code	D	E	L	Weight
<b>STU01</b>	1/4 BSP	68	66	0,34 kg
<b>STU02</b>	3/8 BSP	68	77	0,36 kg
<b>STUSAE06</b>	9/16-18UNF	68 (2,68)	70,5 (2,78)	0,38 kg (0,84 lb)



**In-line bidirectional flow control valve**



Spare part code	D	E	L	Weight
<b>STB01</b>	1/4 BSP	68	54	0,29 kg
<b>STB02</b>	3/8 BSP	68	54	0,27 kg
<b>STBSAE06</b>	9/16-18UNF	68 (2,68)	54 (2,13)	0,30 kg (0,66 lb)