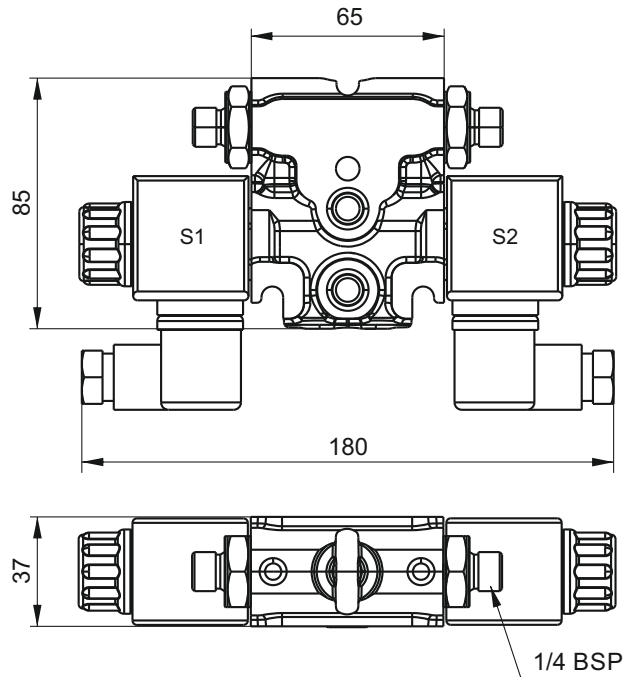
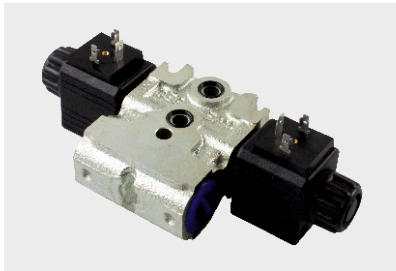


# SECTION G



## STACKABLE MODULAR DIRECTIONAL SOLENOID VALVES WITH REAR PORTS



### Options

Description	Spare part code
Closure plate, to be used as the last element	<b>SD02TOP</b>
Kit 3 tie rods + nut M8 8.8 (x = number of element)	<b>SD020x</b>

### Main features

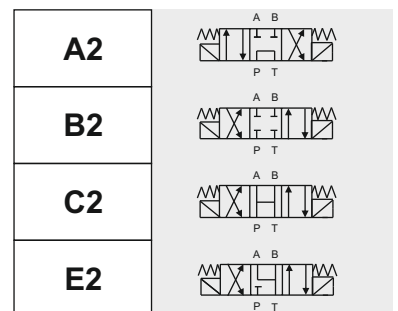
Max pressure	250 bar
Max pressure on T port	50 bar
Max flow	50 l/min
Weight	1,37 Kg (1 solenoid) 1,67 Kg (2 solenoid)
Internal leakage	0,02±0,06 l/min at 100bar, 21 cSt
Fixing bolts	3 TCEI M8 tie-rods 15 Nm torque. 8.8 class steel or above
Coil insulation	Class H
Electric connection	DIN 43650-A / ISO 4400
Protection class	IP 65 / DIN 40050
Duty cycle	ED 100%
Voltage required	+/- 10% nominal voltage
Manual Override	included as standard
Standards	EN50081-1 / EN50082-2 (89/336 CEE electromagnetic comp.) 73/23/CEE / 96/68/CEE (low voltage)
Fluid temperature	-20°C +80°C

### Spare part code

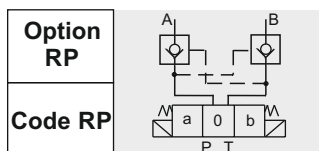
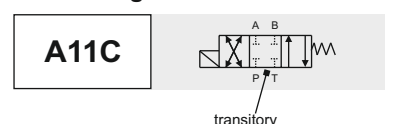
- SD02** — Stackable modular directional solenoid valve
- E2** — Spool configuration: see below table
- RP** — Option:  
- = free outputs  
RP = outputs with piloted check valves (only spool E2 and C2)
- 24DC** — Supply voltage: see coils table section G

### Spool

#### Double solenoid



#### Single solenoid



### Limits of use

