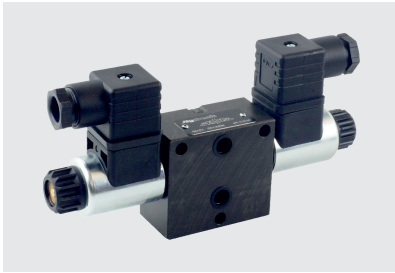


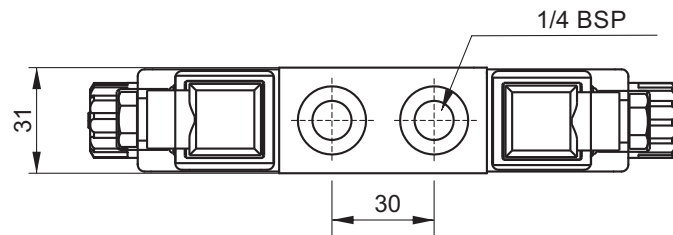
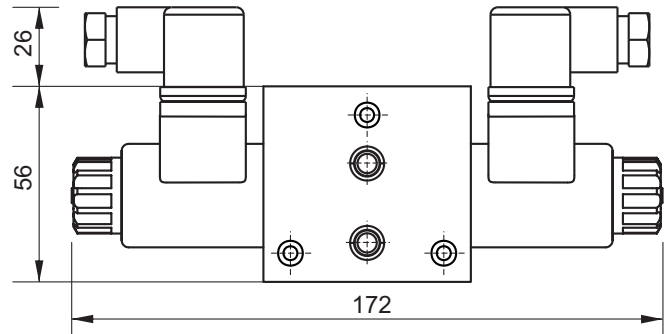
SECTION G



STACKABLE DIRECTIONAL SOLENOID VALVES



Dimensions in mm (inches)



Main features

Max pressure	250 bar
Press. max port T	210 bar static, 140 bar dynamic
Max flow	20 l/min
Weight	0,89 Kg (1 solenoid) 1,09 Kg (2 solenoid)
Fixing bolts	3 x M6 tie-rods 6 Nm torque. 10.9 class steel or above
Coil insulation	Class H
Electric connection	DIN 43650-A / ISO 4400
Protection class	IP 65 / DIN 40050
Duty cycle	ED 100%
Voltage required	+/- 10% nominal voltage
Manual override	included as standard
Standards	EN50081-1 / EN50082-2 (89/336 CEE electromagnetic comp.) 73/23/CEE / 96/68/CEE (low voltage)
Fluid temperature	-20°C +80°C

Spool

Double solenoid

A2	
B2	
C2	
E2	

Single solenoid

A11C	
-------------	--

Spare part code

- SD01** — Stackable directional solenoid valve
- A2** — Spool configuration: see table below
- 24DC** — Supply voltage: see coils table section G
- — Position type:
- = intermediate
C = closing end valve with P and T closed

Type C valve must be used to blank off the valve stack. If only 1 valve in stack then type C must be used.

