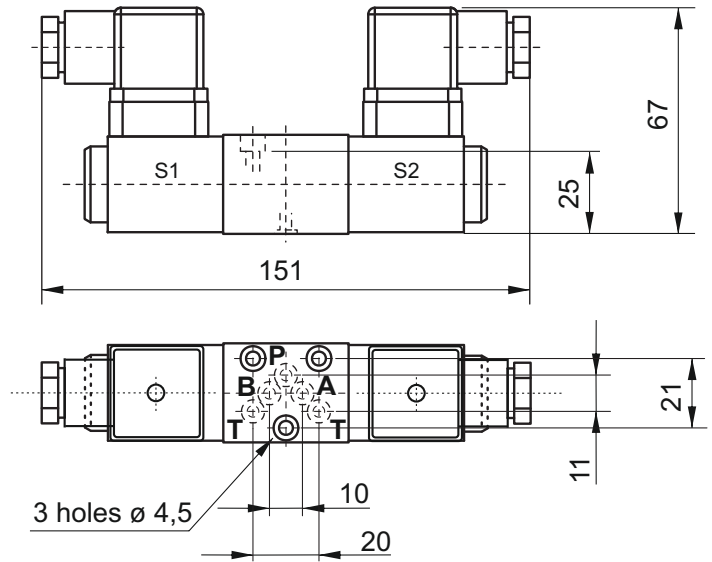
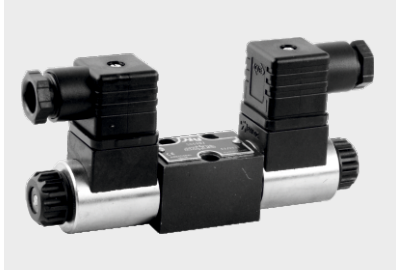


SECTION G



NG3 MICRO DIRECTIONAL SOLENOID VALVES



Main features

Max pressure	315 bar
Max pressure on T port	100 bar
Max flow	15 l/min
Weight	0,7 kg (2 solenoid) 0,55 kg (1 solenoid)
Internal leakage	< 0,01 l/min at 200bar
Fixing bolts	3 TCEI M4x35 bolts 2,8 Nm torque. 10,9 class steel or above
Coil insulation	Class H
Electric connection	DIN 43650-A / ISO 4400
Protection class	IP 65 / DIN 40050
Duty cycle	ED 100%
Voltage required	+/- 10% nominal voltage
Manual Override	included as standard
Standards	EN50081-1 / EN50082-2 (89/336 CEE electromagnetic comp.) 73/23/CEE / 96/68/CEE (low voltage)

Spare part code

SD00	NG3 micro directional solenoid valve
A2	Spool configuration: see table below
24DC	Supply voltage: see coils table section G
-	Options: - = std

Spool

Double solenoid

A2	
B2	
C2	
E2	

Single solenoid

