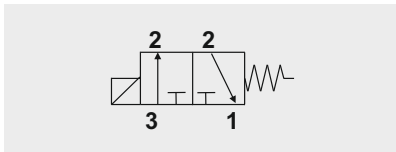
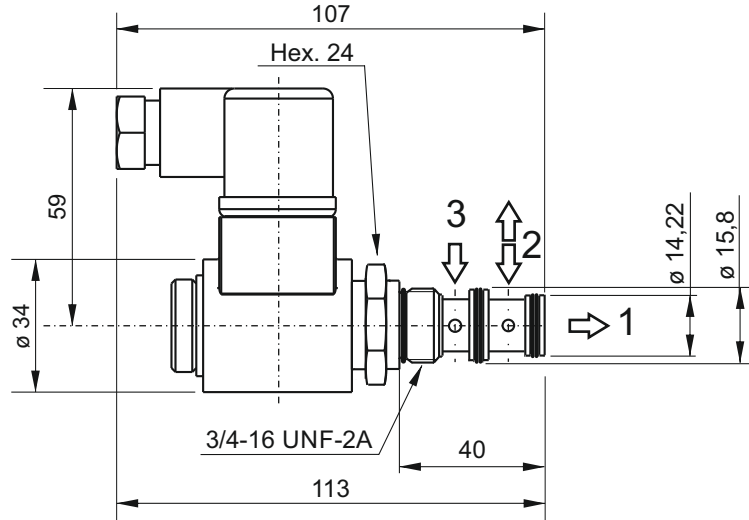


MSV3V - DIRECT OPERATED 3/2 WAY DIRECTIONAL SPOOL SOLENOID CARTRIDGE



Main features

Max pressure	210 bar
Max flow	12 l/min (20 l/min without block)
Weight	0,35 Kg (with coil)
Coil insulation	Class H
Electric connection	DIN 43650-A / ISO 4400
Protection class	IP 65 / DIN 40050
Duty cycle	ED 100%
Voltage required	+/- 10% nominal voltage
Torque recommended	30 Nm
Fluid temperature	-25 ÷ +70°C

Spare part code

- MSV3V** — Three-way direct acting solenoid valve
- 40** — Spool type: 40 = std
- 0** — Options: 0 = no options (std)
- 0000** — Supply voltage: 0000 = no coil (std) see coils table

Pressure drop diagram

