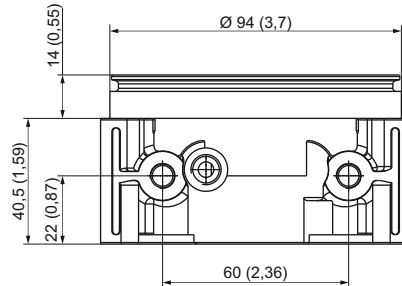


MICRO CENTRAL MANIFOLD OVERALL DIMENSIONS

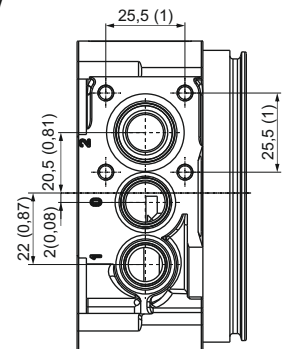
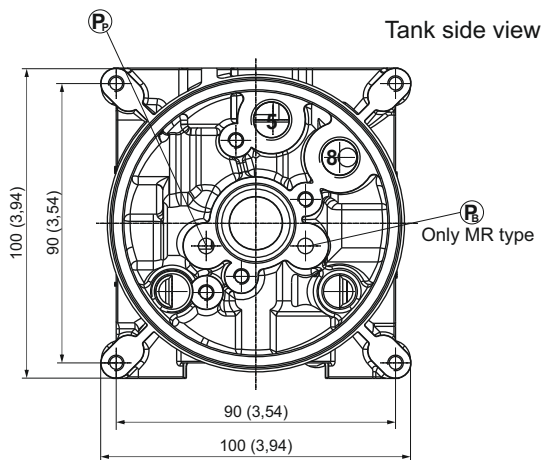
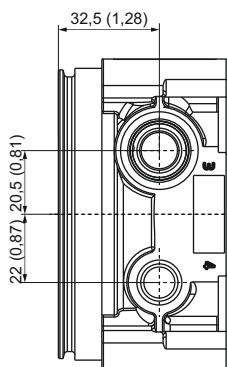
Type	Spare part code
MB	E60102031
MR	E60102032
M4	E60102033
MBUS	E60102031US
MRUS	E60102032US
M4US	E60102033US



Weight: 0,60 kg (1,32 lb)

Notes:

- codes ending with US are intended for the American market and machined with 9/16-18 UNF (SAE06) exit ports.
- all dimensions in mm and (inches)



Cavity	Threads
1, 4 (MR type)	M14x1 (relief valve)
0	5/8-18 UNF
2, 3	3/4-16 UNF (SAE 08) 5/8-18 UNF (MR type)
P-T, A-B, T1 (threaded on request only)	1/4 BSP 9/16-18 UNF (US type)
5, 8	1/4 BSP
External manifold attachment	2 M8 tie-rods
Tank attachment	4 bolts M5x10
Integral AC motor attachment	4 bolts M6x20
DC motor attachment	2 bolts M6x14 or M6 tie-rods
Pump attachment	2 bolts M5x** (see pump length on the relevant tables)
Foot mounting support attachment	2 bolts M8x16 5/16-24UNF (US type)
PMC hand pump / CM lever valve cap attachments	4 bolts M5x45

