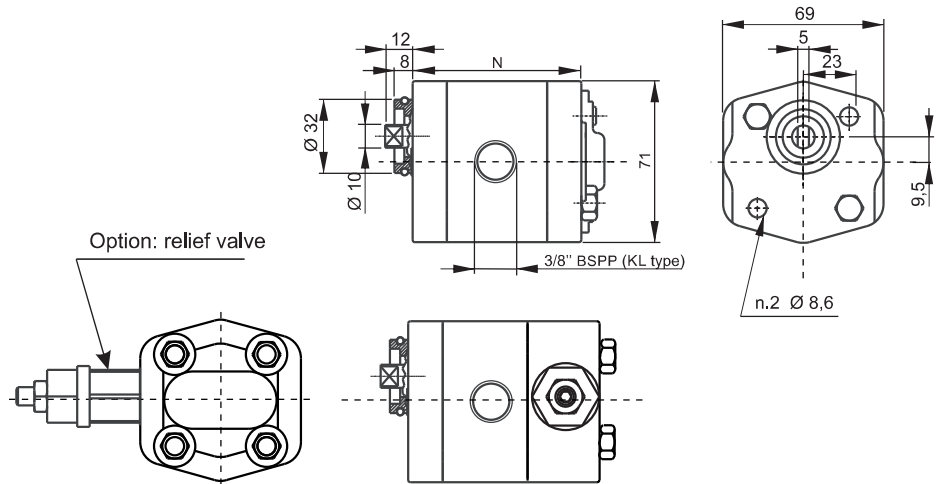


**KL SERIES GEAR PUMPS, GROUP 1**



**Main features**

<b>Oil temperature</b>	-15 ÷ +80 °C
<b>Inlet pressure</b>	0,7 < P < 3,0 bar (absolute pressure)
<b>Fixing bolts</b>	2 x M8 8.8 class steel tightening torque: 21 ÷ 25 Nm
<b>Pressure definition</b>	Peak pressure: cycle 2 s ON Intermittent pressure: cycle 20 s ON Continuous pressure: cycle always ON

Standard rotation direction: clockwise (from shaft side).  
Counterclockwise rotation pumps can be mounted on request.  
Ask our sales department.

**Spare part code**

**E60 60 42 \*\***

**Pump type:**  
60 = Group 1

**Size:**  
see below table

**Assembly code**

**KL**

**Pump type:**  
KL = KL series

**1,2**

**Nominal displacement:**  
(cc/rev) see below table

**V\*\***

**Optional relief valve:**  
where \*\* = (bar max)

**Available range**

Nominal Displacement (cc/rev)	Peak pressure (bar)	Intermittent pressure (bar)	Continuous pressure (bar)	Max speed (rpm)	N (mm)	Bolts* (mm)	Spare part code	Weight
0,9	250	230	200	4500	60	M8x75	E60604201	0,73 Kg
1,2	250	230	200	4500	61	M8x75	E60604202	0,75 Kg
1,6	250	230	200	4500	63	M8x80	E60604235	0,77 Kg
2,1	250	230	200	4500	65	M8x80	E60604204	0,79 Kg
2,7	250	230	200	4500	66	M8x80	E60604205	0,82 Kg
3,2	250	230	200	4500	70	M8x85	E60604206	0,86 Kg
3,7	230	210	180	3600	72	M8x85	E60604207	0,88 Kg
4,2	230	210	180	3600	74	M8x90	E60604208	0,90 Kg
5,0	210	180	140	3000	76	M8x90	E60604209	0,94 Kg
6,0	210	180	140	3000	80	M8x100	E60604210	0,98 Kg
7,9	180	140	100	3000	90	M8x110	E60604212	1,10 Kg

Other pumps executions with different pressure/speed ratings are available on request.

\* A proper washer is to be forecast to adapt bolt length