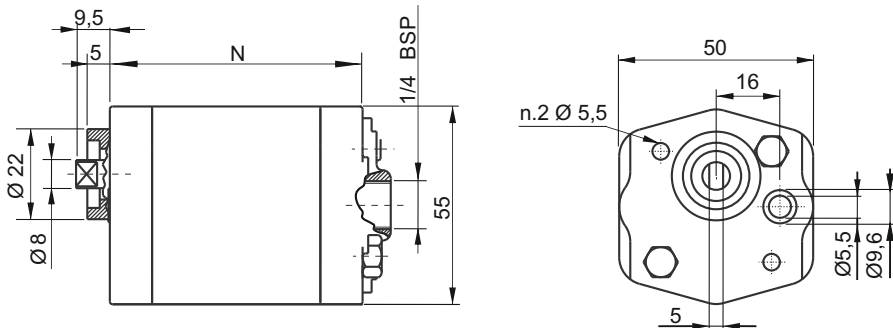


**K TYPE GEAR PUMPS**

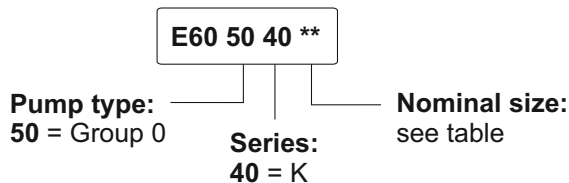


**Main features**

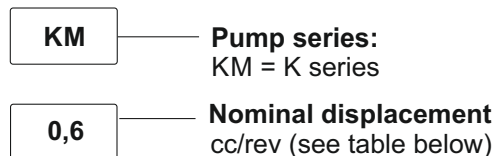
|                     |   |
|---------------------|---|
| Oil temperature     | -15 ÷ +80 °C  |
| Inlet pressure      | 0,7 < P < 3,0 bar (absolute pressure)   |
| Fixing bolts        | 2 x M5 8.8 steel class<br>tightening torque: 25 Nm  |
| Pressure definition | Peak pressure: cycle 2 s ON<br>Intermittent pressure: cycle 20 s ON<br>Continuous pressure: cycle always ON |

Standard rotation direction: clockwise rotation (from shaft side).  
Counterclockwise rotation pumps can be mounted on request.  
Ask our sales department.

**Spare part code**



**PPM assembly code**



**Available range**

| Nominal displacement [cc/rev] | Peak pressure [bar] | Intermittent pressure [bar] | Continuous pressure [bar] | Max speed [rpm] | N [mm] | Bolts* [mm] | Spare part code | Weight [Kg] |
|-------------------------------|---------------------|-----------------------------|---------------------------|-----------------|--------|-------------|-----------------|-------------|
| 0,2                           | 200                 | 180                         | 160                       | 6000            | 51,9   | M5x65       | E60504002       | 0,33        |
| 0,4                           | 200                 | 180                         | 160                       | 6000            | 52,9   | M5x65       | E60504004       | 0,35        |
| 0,6                           | 200                 | 180                         | 160                       | 6000            | 54,9   | M5x65       | E60504006       | 0,40        |
| 0,9                           | 200                 | 180                         | 160                       | 5000            | 56,9   | M5x70       | E60504009       | 0,44        |
| 1,3                           | 200                 | 180                         | 160                       | 3900            | 59,9   | M5x70       | E60504013       | 0,49        |
| 1,5                           | 200                 | 180                         | 160                       | 3900            | 62,2   | M5x75       | E60504015       | 0,51        |

Other gear pumps with different pressure and speed available upon request.

\* Washers may be fitted to adapt bolt length