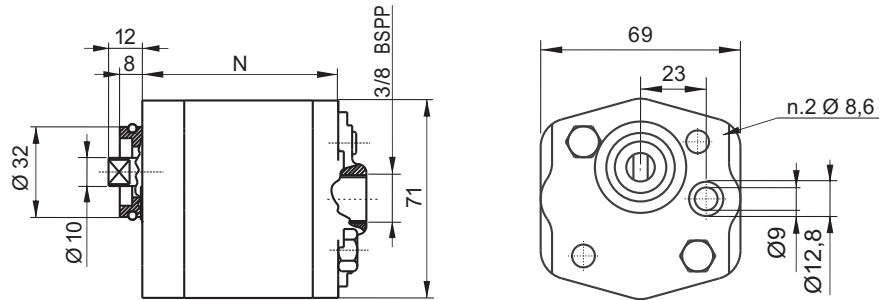


SECTION C



K SERIES GEAR PUMPS, GROUP 1

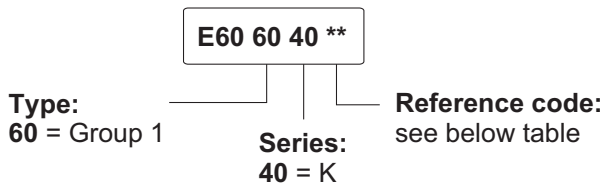


Main features

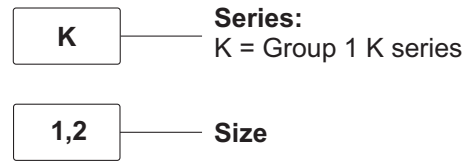
Oil temperature	-15 ÷ +80 °C
Inlet pressure	0,7 < P < 3,0 bar (absolute pressure)
Fixing bolts	2 x M8 8.8 class steel tightening torque: 21 ÷ 25 Nm
Pressure definition	Peak pressure: cycle 2 s ON Intermittent pressure: cycle 20 s ON Continuous pressure: cycle always ON

Standard rotation direction: clockwise (from shaft side).
Counterclockwise rotation pumps can be mounted on request.
Ask our sales department.

Spare part code



Assembly code



Available range

Nominal size	Displacement [cc/rev]	Peak pressure [bar]	Intermittent pressure [bar]	Continuous pressure [bar]	Max speed [rpm]	N [mm]	Bolts* [mm]	Spare part code	Weight [Kg]
K0,9	0,89	250	230	210	4500	61,6	M8x80	E60604001	0,73
K1,2	1,27	250	230	210	4500	63,1	M8x80	E60604002	0,75
K1,6	1,66	250	230	210	4500	64,6	M8x80	E60604035	0,77
K2,1	2,17	250	230	210	4500	66,3	M8x85	E60604004	0,79
K2,7	2,8	250	230	210	4500	68,8	M8x85	E60604005	0,82
K3,2	3,3	250	230	210	4500	70,4	M8x85	E60604006	0,86
K3,7	3,8	230	210	180	3600	72,5	M8x90	E60604007	0,88
K4,2	4,3	230	210	180	3600	74,3	M8x90	E60604008	0,90
K5,0	5,1	210	180	140	3000	77,3	M8x95	E60604009	0,94
K6,0	6,0	210	180	140	3000	81,3	M8x100	E60604010	0,98
K7,9	7,9	180	140	100	2800	88,9	M8x105	E60604012	1,10

* One or more washers are always fitted to secure the bolt engagement