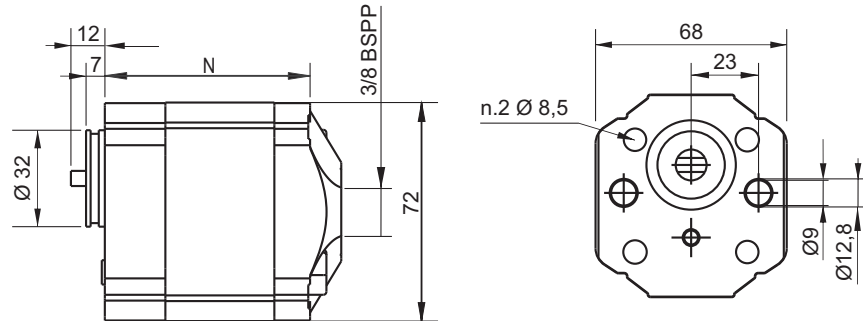


# SECTION C



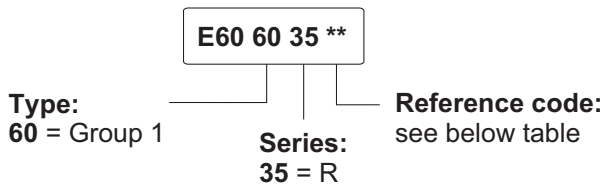
## R SERIES BIDIRECTIONAL GEAR PUMPS, GROUP 1



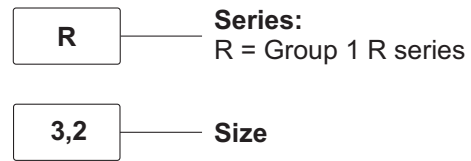
### Main features

Oil temperature	-15 ÷ +80 °C
Inlet pressure	0,7 < P < 3,0 bar (absolute pressure)
Fixing bolts	2 x M8 8.8 class steel tightening torque: 21 ÷ 25 Nm
Pressure definition	Peak pressure: cycle 2 s ON Intermittent pressure: cycle 20 s ON Continuous pressure: cycle always ON

### Spare part code



### Assembly code



### Available range

Nominal size	Displacement [cc/rev]	Peak pressure [bar]	Intermittent pressure [bar]	Continuous pressure [bar]	Max speed [rpm]	N [mm]	Bolts* [mm]	Spare part code	Weight [Kg]
R2,1	2,2	270	260	250	4000	68,7	M8x85	E60603504	0,92
R2,6	2,6	270	260	250	4000	70,5	M8x85	E60603505	0,95
R3,2	3,2	240	230	220	4000	72,8	M8x90	E60603506	0,98
R4,3	4,3	150	140	130	4000	76,4	M8x95	E60603508	1,05
R6,5	6,5	120	110	100	3500	83,2	M8x100	E60603510	1,32

\* One or more washers are always fitted to secure the bolt engagement  
Other pumps with different displacement/pressure/speed are available on request.