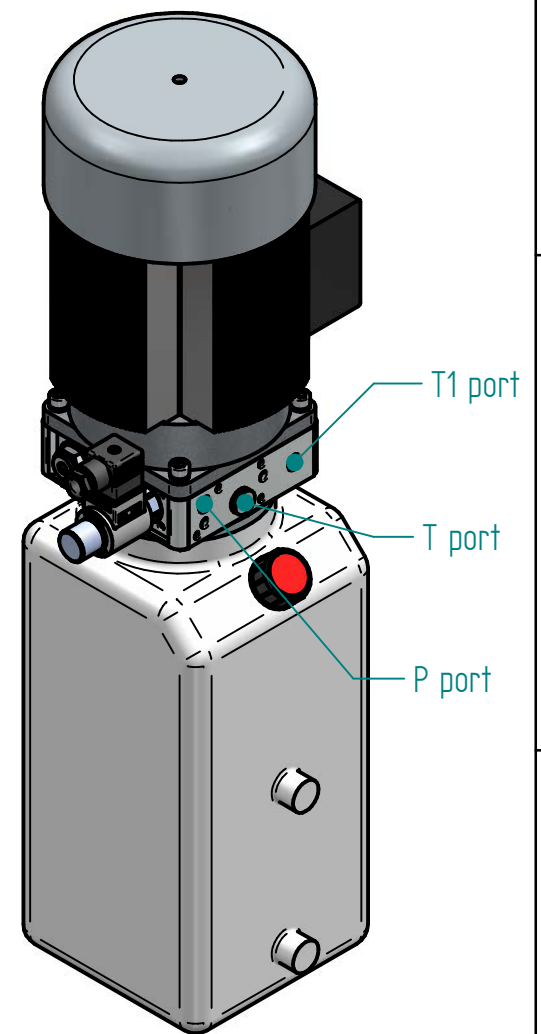


Cavity	Thread
0, 1, 2, 3, 4	3/4-16 UNF (SAE08)
P-T	1/4 BSP 9/16-18UNF (SAE06 - US type) 1/4 BSP-1/8 BSP for external manifold
P <sub>1</sub> -T <sub>1</sub>	1/4 BSP (threaded on request only)
5, 6, 8, 9	1/4 BSP (cavity 9 threaded on request only)
External manifolds fixings	2 tie rods M8 4 tie rods M6 (UB type only)
Tank fixings	4 screws M6x14
Integral AC motors and B14 flanges fixings	4 screws M8x25
DC motors fixings	2 screws M6x14 or tie rods M6
Pumps fixings	2 screws M8 (see pump lengths on the relevant tables)
Mounting Foot fixings	2 screws M10x18 3/8-16 UNC US type (wheelbase 82 mm)
PMC hand pump and CM lever valve fixings	4 screws M5x45



03			
02			
01			
IR	MODIFICATION DESCRIPTION		SIGN. DATE
<b>Hydronit s.r.l.</b> via Pastrengo 62 Varedo (MB) Italy	SIGNATURE	DATE	Description
	Drawn by <b>S. Vanzati</b>	24/03/2020	
	Checked by <b>M. Saini</b>	24/03/2020	
Scale <b>1:5</b>	Code	<b>PPC14.1125HY-ECOMMERCE_-103126</b>	
This document is confidential and can not be copied nor disclosed to a third party without written consent in presence of outdated norms, please refer to the updated ones.			
			IR. 01