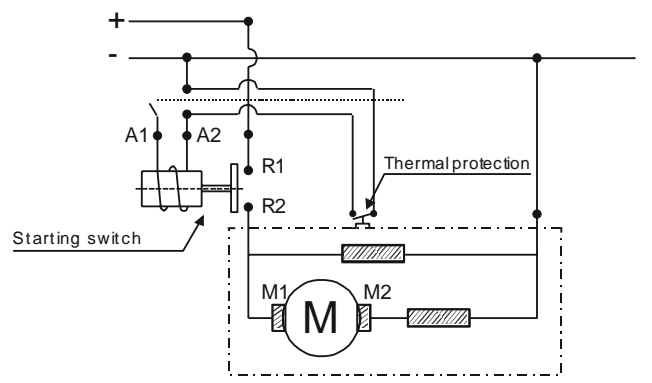
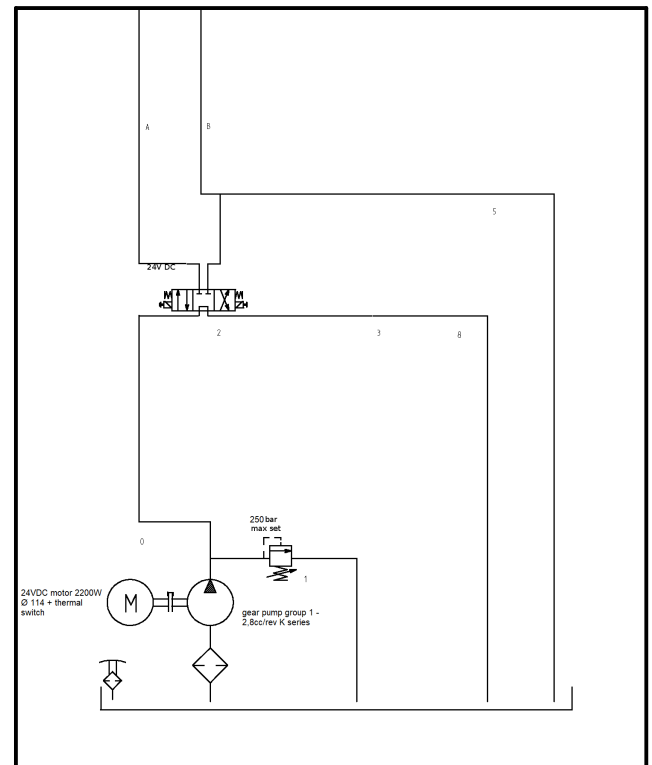
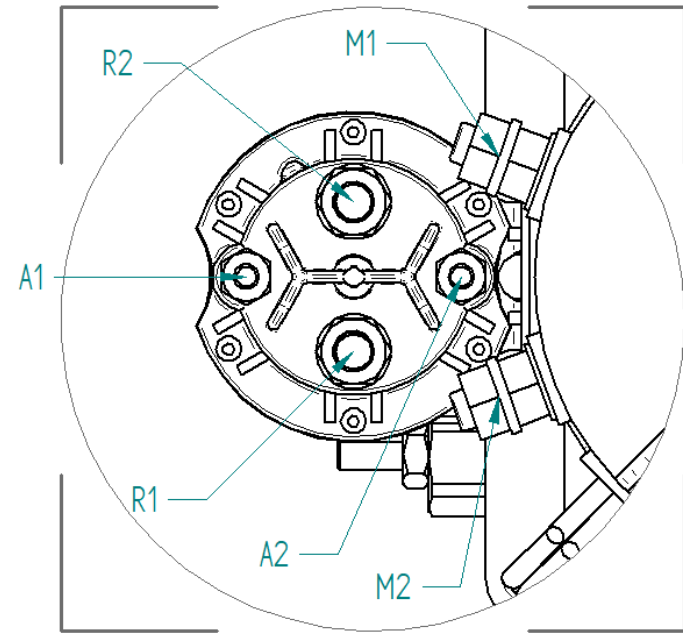
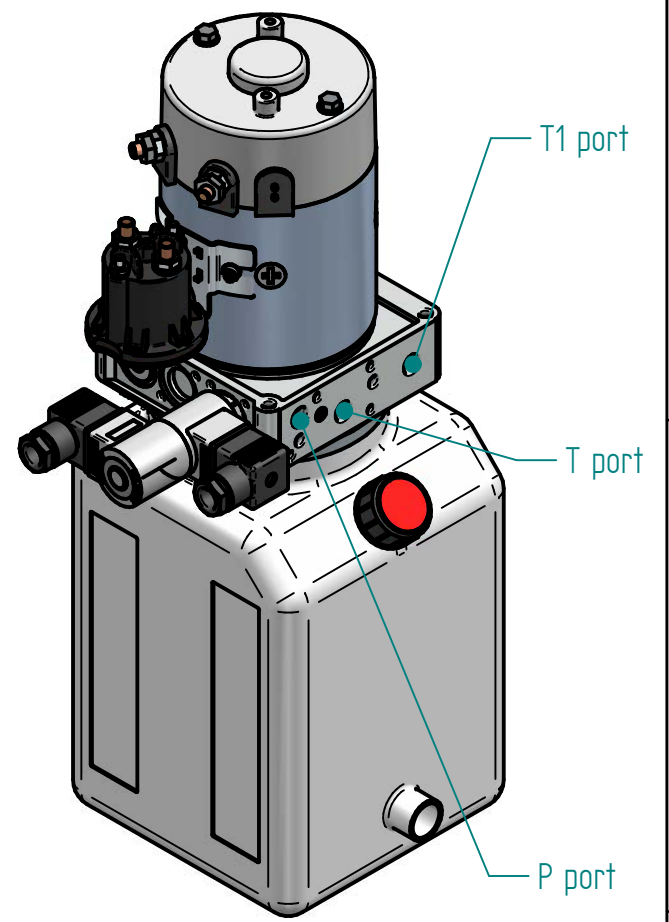


Cavity	Thread
0, 1, 2, 3, 4	3/4-16 UNF (SAE08)
P-T	1/4 BSP 9/16-18UNF (SAE06 - US type) 1/4 BSP-1/8 BSP for external manifold
P <sub>r</sub> -T <sub>r</sub>	1/4 BSP (threaded on request only)
5, 6, 8, 9	1/4 BSP (cavity 9 threaded on request only)
External manifolds fixings	2 tie rods M8 4 tie rods M6 (UB type only)
Tank fixings	4 screws M6x14
Integral AC motors and B14 flanges fixings	4 screws M8x25
DC motors fixings	2 screws M6x14 or tie rods M6
Pumps fixings	2 screws M8 (see pump lengths on the relevant tables)
Mounting Foot fixings	2 screws M10x18 3/8-16 UNC US type (wheelbase 82 mm)
PMC hand pump and CM lever valve fixings	4 screws M5x45



Max pressure: 185 bar

Main relief valve set pressure: 157 bar

03			
02			
01	PP01370 instead of RETURN-KIT		KM06/10/22
IR	MODIFICATION DESCRIPTION		SIGN DATE
via Pastrengo 62 Varedo (MB) Italy		Signature: S. Vanzati Checked by: A. Gambusera Scale: 1:4 Code: PPC180601HY-ECOMMERCE-093938	Description: Date: 06/10/2022 Date: 06/10/2022 IR: 01
General tolerance: EN-22768 ISO-2768 : V-V This document is confidential and can not be copied nor disclosed to a third party without written consent. In presence of outdated norms, please refer to the updated ones.			