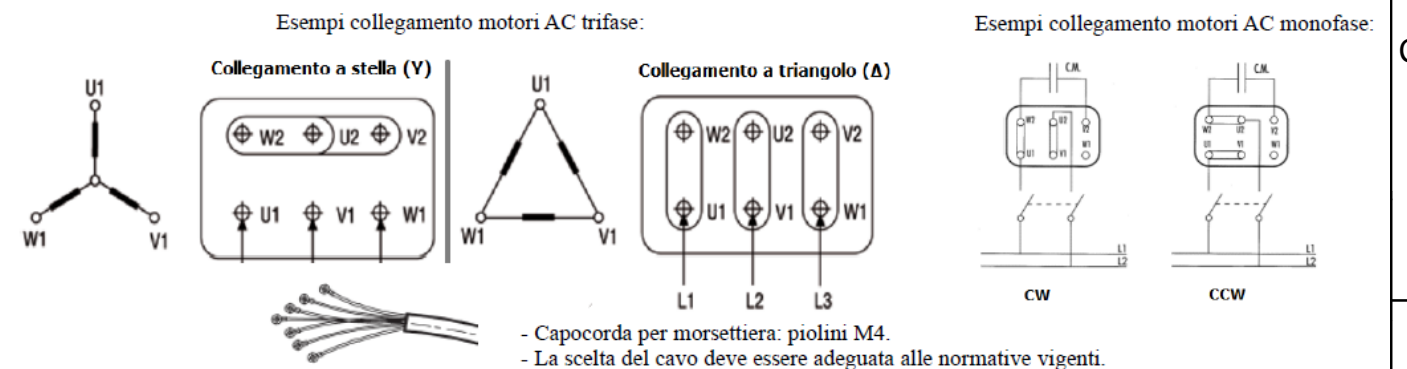
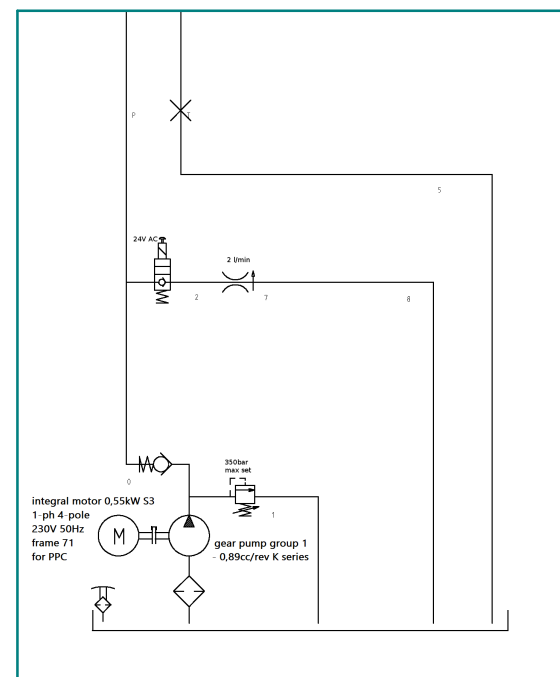
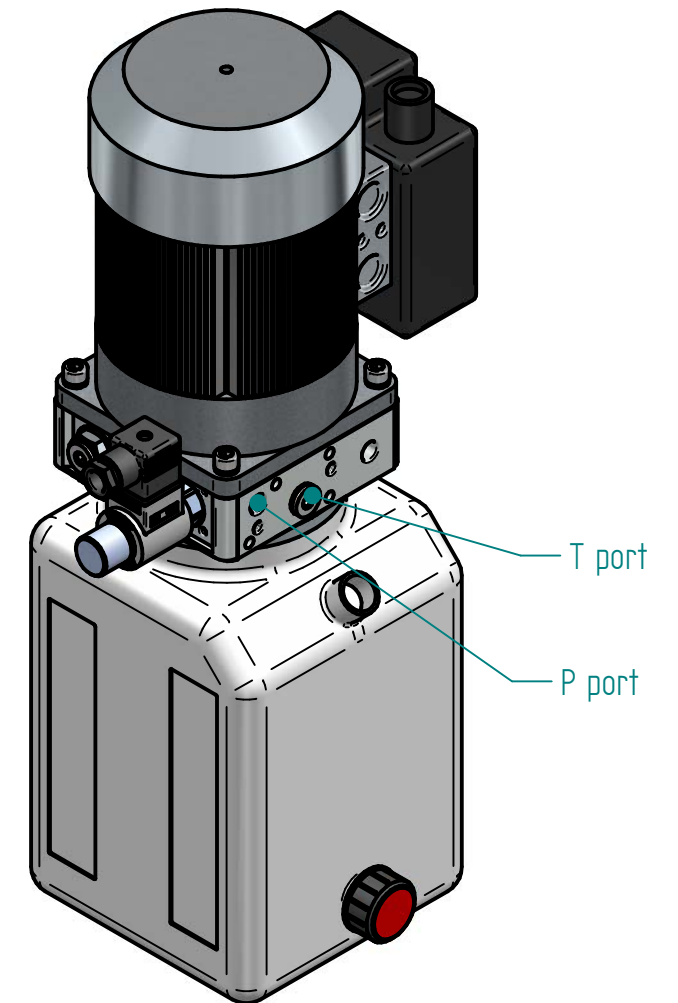


Cavity	Thread
0, 1, 2, 3, 4	3/4-16 UNF (SAE08)
P-T	1/4 BSP 9/16-18UNF (SAE06 - US type) 1/4 BSP-1/8 BSP for external manifold
P ₁ -T ₁	1/4 BSP (threaded on request only)
5, 6, 8, 9	1/4 BSP (cavity 9 threaded on request only)
External manifolds fixings	2 tie rods M8 4 tie rods M6 (UB type only)
Tank fixings	4 screws M6x14
Integral AC motors and B14 flanges fixings	4 screws M8x25
DC motors fixings	2 screws M6x14 or tie rods M6
Pumps fixings	2 screws M8 (see pump lengths on the relevant tables)
Mounting Foot fixings	2 screws M10x18 3/8-16 UNC US type (wheelbase 82 mm)
PMC hand pump and CM lever valve fixings	4 screws M5x45



Max pressure: 231 bar
Main relief valve set pressure: 197 bar

03			
02			
01	PP01370 instead of RETURN-KIT		KM13/10/22
IR	MODIFICATION DESCRIPTION		SIGN. DATE
		SIGNATURE	DATE
via Pastrengo 62 Varedo (MB) Italy		Drawn by <u>S. Vanzati</u> Checked by <u>A. Gambusera</u>	24/05/2019 24/05/2019
		Scale 1:4	Code PPC190228HY-ECOMMERCE-141014
General tolerance: EN-22768 ISO-2768 : V-V		This document is confidential and can not be copied nor disclosed to a third party without written consent. In presence of outdated norms, please refer to the updated ones.	
			IR 01