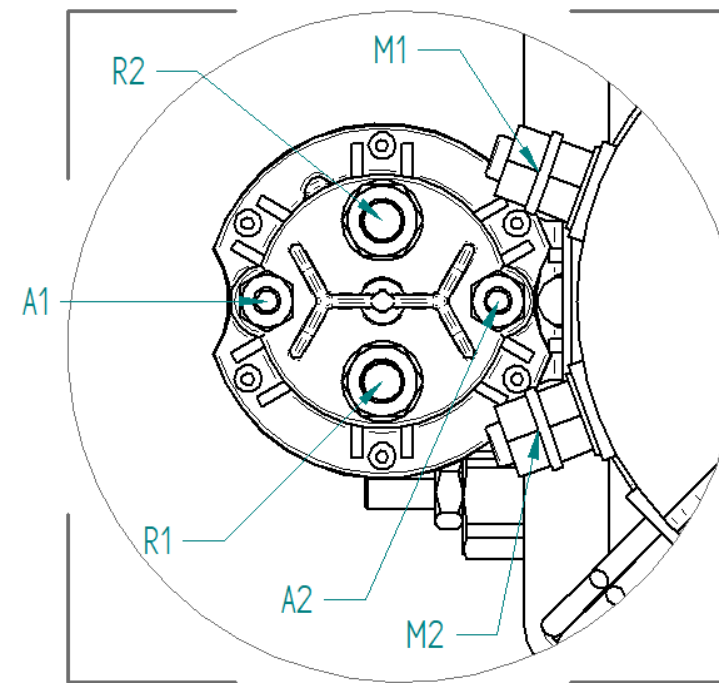
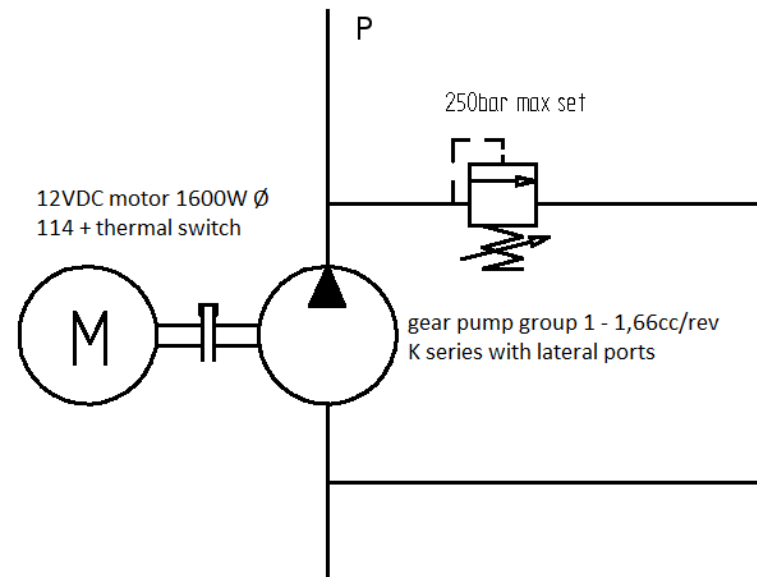


Max pressure: 178 bar
 Main relief valve set pressure:
 151 bar



Spare part code	
E10103010	
Cavity	Threads
P	1/4 BSPP
DC motors attachment	tie rods M6
Pumps attachment	2 bolts M8x** (see pump lengths on the relevant tables)
Mounting Foot attachment	2 bolts M10x18 (wheelbase 82 mm)



03			
02			
01			
IR	MODIFICATION DESCRIPTION		SIGN. DATE
Hydronit via Pastrengo 62 Varedo (MB) Italy		SIGNATURE	DATE
		Drawn by <u>R.Viganò</u>	<u>21/03/2023</u>
		Checked by <u>H.Tadayonfard</u>	<u>21/03/2023</u>
Scale <u>1:4</u>		Code <u>EPB230201HY-ECOMMERCE-102031</u>	IR. <u>00</u>
General tolerance: EN-22768 ISO-2768: V-V		This document is confidential and can not be copied nor disclosed to a third party without written consent. In presence of outdated norms, please refer to the updated ones.	