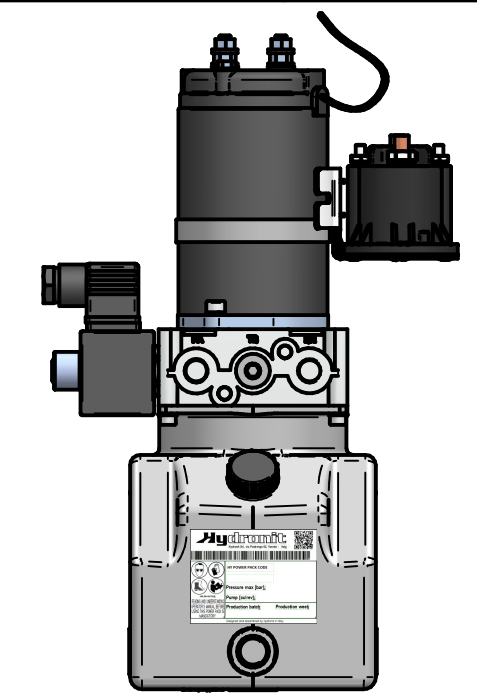
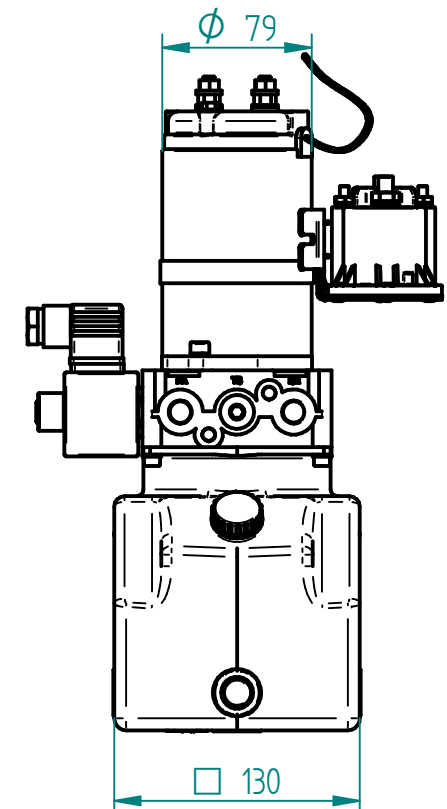
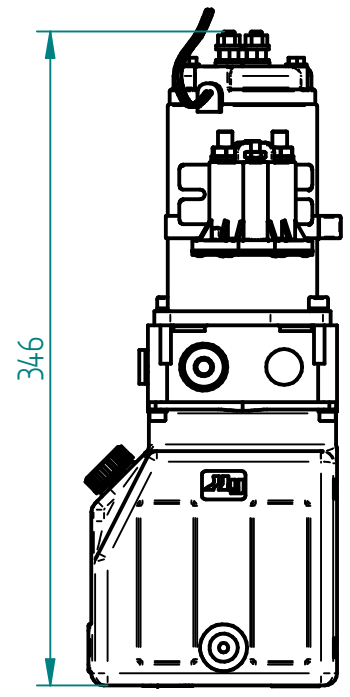
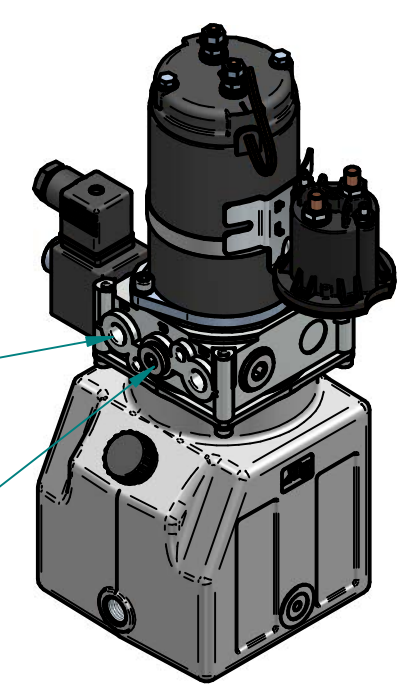


1 2 3 4 5 6

A



PA port (A)
TB port (T)

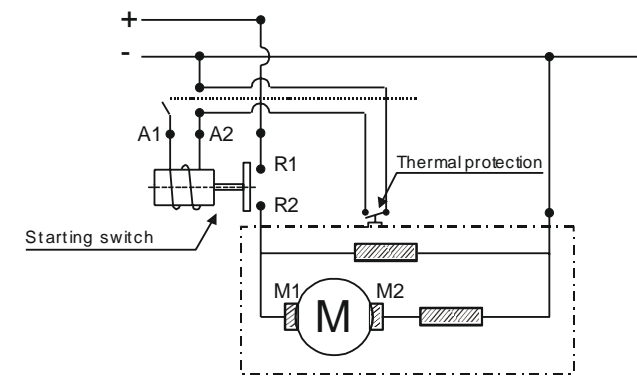
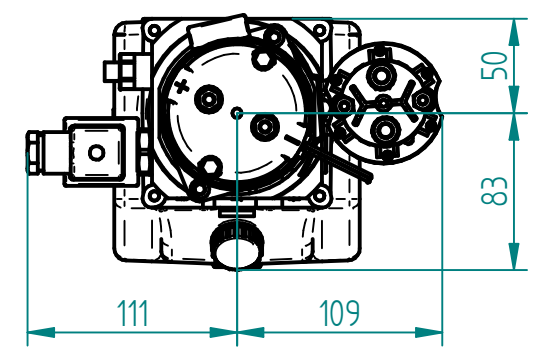
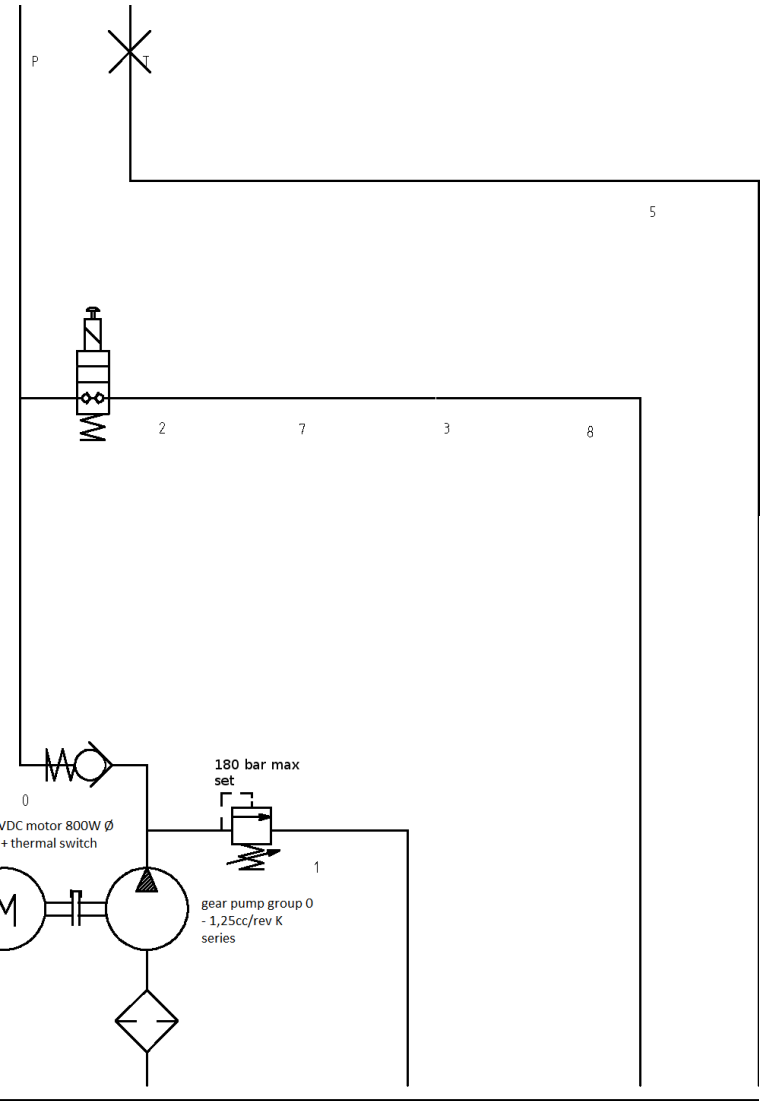


B

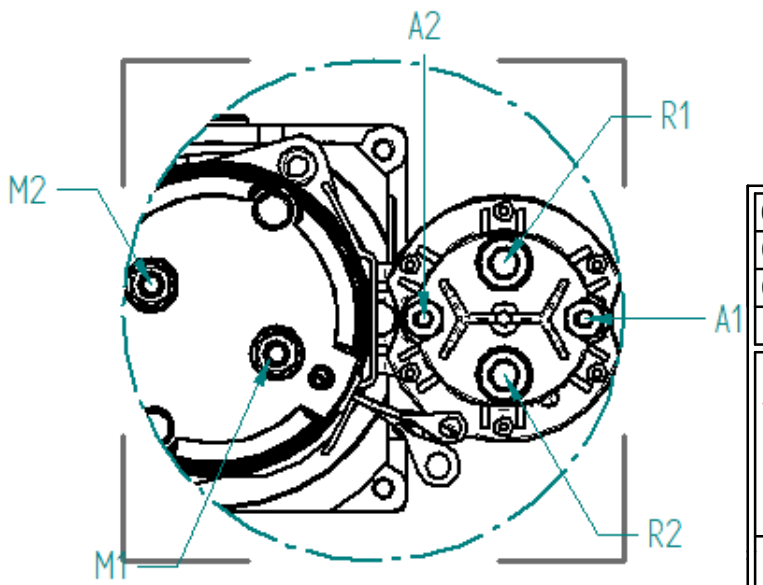
Max pressure: 118 bar
Main relief valve set pressure: 100 bar

Cavity	Threads
1, 4 (MR type)	M14x1 (relief valve)
0	5/8-18 UNF
2, 3	3/4-16 UNF (SAE 08) 5/8-18 UNF (MR type)
P-T, A-B, T1 (threaded on request only)	1/4BSP (central manifold) 9/16-18 UNF (US type) See the drawings (external manifold)
5, 8	1/4 BSP
External manifold attachment	2 M8 tie-rods
Tank attachment	4 bolts M5x10
Integral AC motor attachment	4 bolts M6x20
DC motor attachment	2 bolts M6x14 or M6 tie-rods
Pump attachment	2 bolts M5x** (see pump length on the relevant tables)
Foot mounting support attachment	2 bolts M8x16 5/16-24UNF (US type) (wheelbase 60 mm)
PMC hand pump / CM lever valve cap attachments	4 bolts M5x45

C



D



03			
02			
01			
IR	MODIFICATION DESCRIPTION		SIGN DATE
		SIGNATURE	DATE
via Pastrengo 62 Varedo (MB) Italy		Drawn by <u>R.Viganò</u> Checked by <u>H.Tadayonfard</u>	07/02/2023 07/02/2023
		Scale <u>1:4</u> Code <u>PPM230206HY-ECOMMERCE-100408</u>	IR <u>00</u>
General tolerance: EN-22768 ISO-2768: V-V This document is confidential and can not be copied nor disclosed to a third party without written consent. In presence of outdated norms, please refer to the updated ones.			

1 2 3 4 5 6