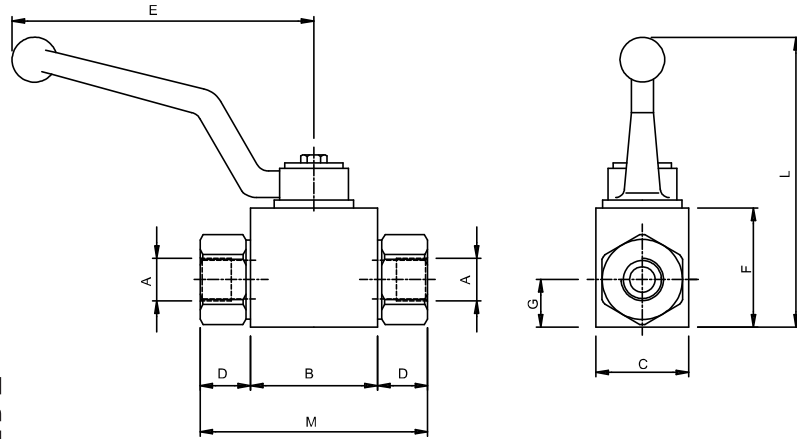
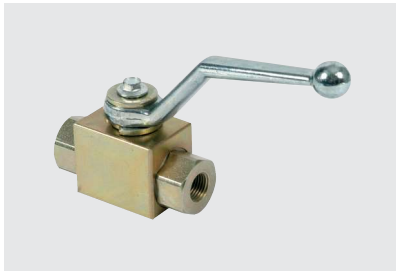


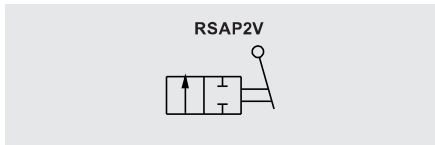
**RSAP2V - HIGH PRESSURE 2 WAYS BALL VALVE**



**Description:**

High pressure 2 ways in-line mounting ball valves. Steel body with zinc plating protection against corrosion, chromed steel internal ball and aluminum lever.

**Standard graphical symbol**



**Ordering code**

**RSAP2V** — High pressure 2 ways ball valve

**01** — Size:  
01, 02, 03, 04, 05

Code	A	B	C	D	E	F	G	L	M	Max pressure [bar]	Max flow [l/min]	Weight [Kg]
RSAP2V01	BSPP 1/4	42	30	14,5	110	35	14	88	71	500	25	0,5
RSAP2V02	BSPP 3/8	44	35	14,5	110	40	17	94	73	500	35	0,65
RSAP2V03	BSPP 1/2	48	37	17,5	110	43	18	96	83	500	60	0,75
RSAP2V04	BSPP 3/4	63	45	16	180	55	23	105	95	400	100	1,40
RSAP2V05	BSPP 1	67	55	22,5	180	65	29	115	112	350	150	2,20