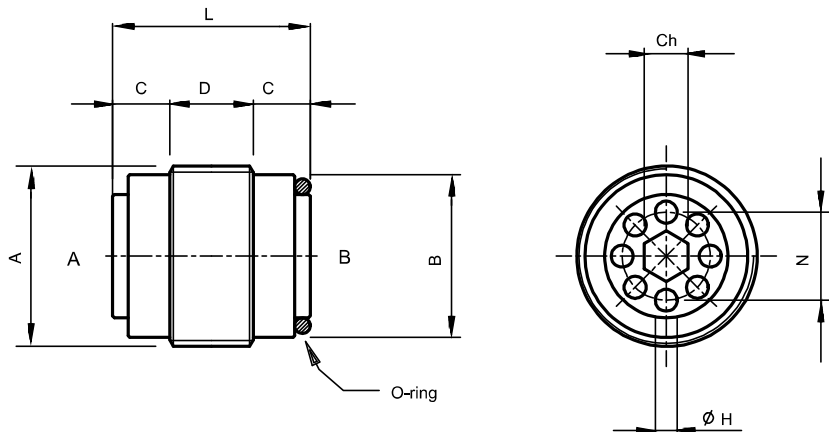


VUI - UNIDIRECTIONAL VALVE

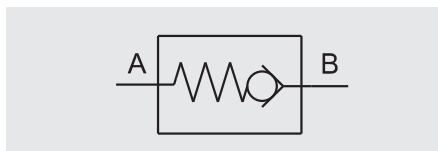


Description:

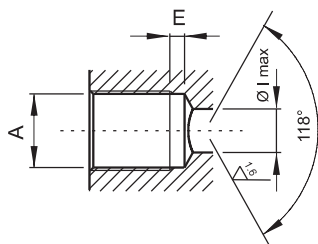
These valves allow free flow from "B" to "A" and stop it on the opposite way.



Standard graphic symbol



Cavity



Ordering code

- VUI** — Cartridge check valve
- **** — **Size:**
01, 02, 03, 04
- S** — **Opening pressure:**
S = Standard 0,5 bar
X = On request

Code	A	B	C	D	E	H	L	N	Ch	O-RING	Torque [Nm]	Max pressure [bar]	Max flow [l/min]	Weight [Kg]
VUI01	BSPP 1/4	11,3	5,5	6	4	1,25	17	6	3	9x1	6	350	20	0,012
VUI02	BSPP 3/8	24	5,5	7,5	4	2	18,5	8	3	10,8x1	6	350	30	0,020
VUI03	BSPP 1/2	18,5	7	8,5	5	2,25	22,5	10,5	5	14x1,78	10	350	50	0,036
VUI04	BSPP 3/4	24	7,5	13,5	5	3	28,5	14	8	18,7x2,62	20	350	80	0,073