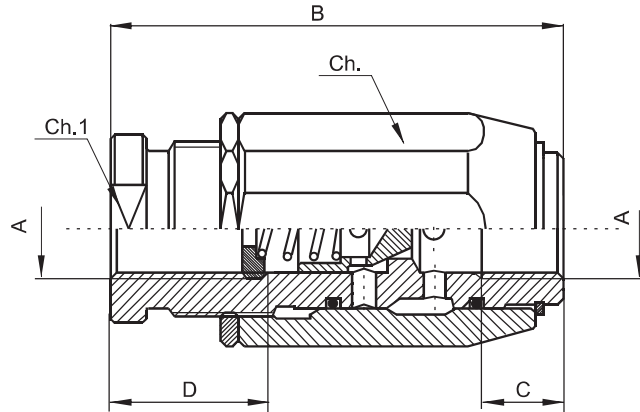


VRF - UNIDIRECTIONAL FLOW CONTROL VALVE

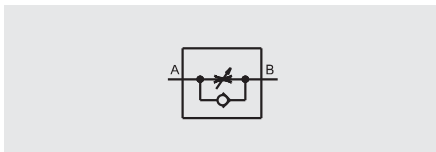


Description:

These valves allow to control the oil flow in one direction while the return way is free. The flow regulation is made directly rotating the valve body by a tool.

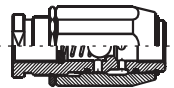
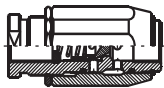


Standard graphic symbol

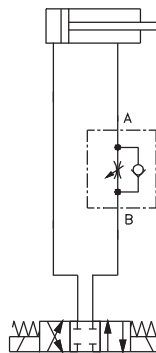


poppet type

ball type



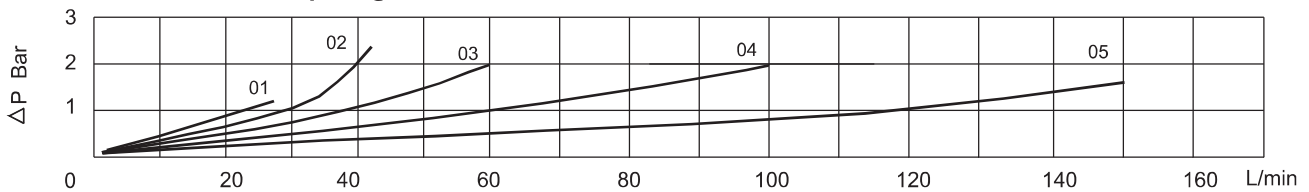
Service example



Ordering code

- VRF** — In-line unidirectional flow control valve
- 01** — Size: 01, 02, 03, 04, 05, 06, 07
- **** — Type: C = poppet type, S = ball type

Pressure drop diagram



Code	A	B	C	D	Ch	Ch1	Max pressure [bar]	Max flow [l/min]	Weight [Kg]
VRF01	BSPP 1/4	66	13	21	32	22	350	15	0,30
VRF02	BSPP 3/8	78	18	22	38	26	350	30	0,48
VRF03	BSPP 1/2	83	18	18	41	30	350	45	0,59
VRF04	BSPP 3/4	95	21	24	46	32	250	80	0,82
VRF05	BSPP 1	109	21	27	55	41	250	110	1,31
VRF06	BSPP 1 1/4	135	25	32	80	55	230	150	3,31
VRF07	BSPP 1 1/2	150	25	41	90	60	230	210	4,76