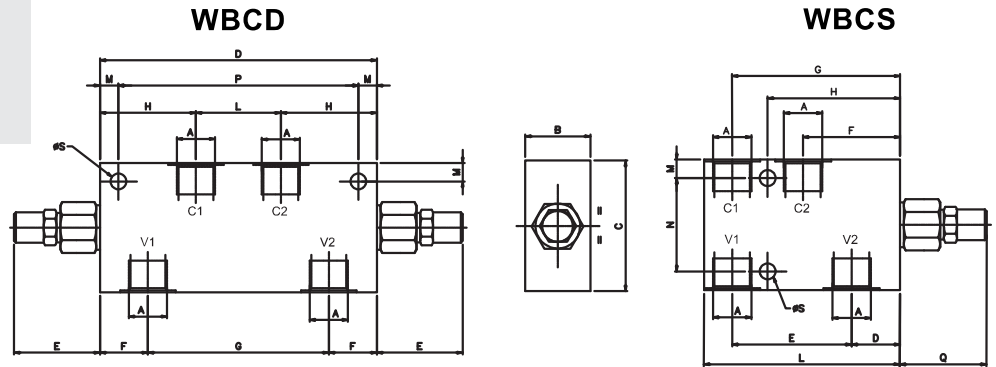


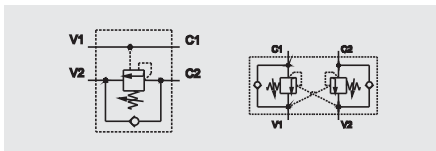
**WBC\* - DOUBLE AND SINGLE EFFECT OVERCENTRE VALVE**



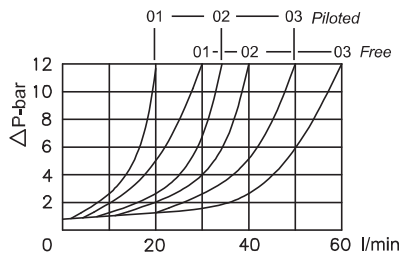
**Description:**

These valves lock a cylinder, not allowing any external force to change its position, and control the lowering, avoiding cavitation and overpressure. The cylinder lowering is controlled by piloting ports V1 and V2. They can be mounted in any position and are protected by zinc plating.

**Standard graphical symbol**



**Pressure drops**



**Ordering code**

- WBC\*** — **Overcentre valve**  
WBCD = double acting  
WBCS = single acting
- \*\*** — **Size:**  
01, 02, 03
- \*** — **Spring**  
A = 30÷210 bar  
B = 60÷350 bar
- \*** — **Body material**  
- = Aluminum  
S = Steel

Code	A	B	C	D	E	F	G	H	L	M	N	Q	S	Pilot ratio	Max pressure [bar]	Max flow [l/min]	Weight [Kg]
WBCS01	BSPP 1/4	30	60	26	64	52	90	71	105	10	40	46,5	6,5	1:4,25	350	30	1,4
WBCS02	BSPP 3/8	25	50	26	64	52	90	71	95	10	40	46,5	6,5	1:4,25	350	40	1,4
WBCS03	BSPP 1/2	30	60	26	64	52	90	71	100	10	50	46,5	8,5	1:4,25	350	60	1,8
WBCD01	BSPP 1/4	25	50	150	46,5	26	98	52	48	10	6,5	/	/	1:4,25	350	30	2,0
WBCD02	BSPP 3/8	25	50	150	46,5	26	98	52	48	10	6,5	/	/	1:4,25	350	40	1,5
WBCD03	BSPP 1/2	30	60	150	46,5	26	98	52	48	10	6,5	/	/	1:4,25	350	60	2,0